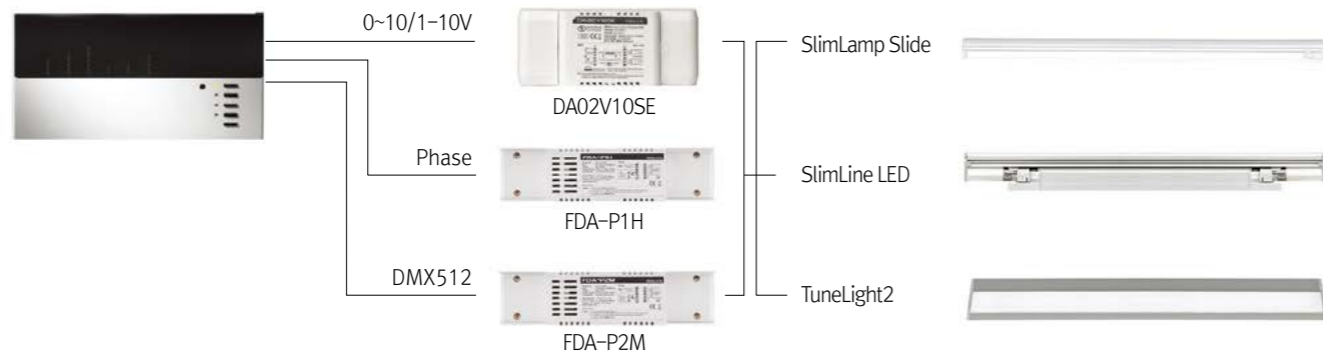


Dimming System Other system Interface-AC Type



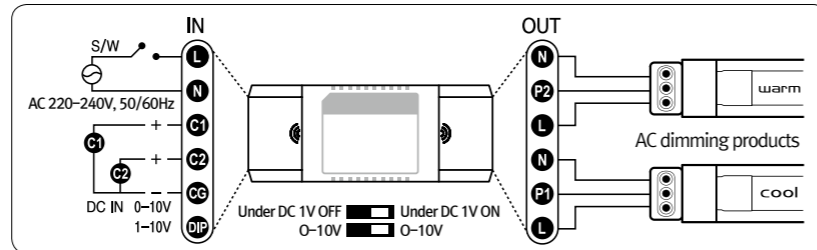
DA02V10SE (0-10V/1-10V to PWM translator)



Specification

Channel 2CH
 Input Signal DC 0-10v/1-10V
 Out Power DC220-240V, PWM output 2CH
 Output Load Max 10pcs of AC dimming products per channel and up to 200W per channel

Wiring



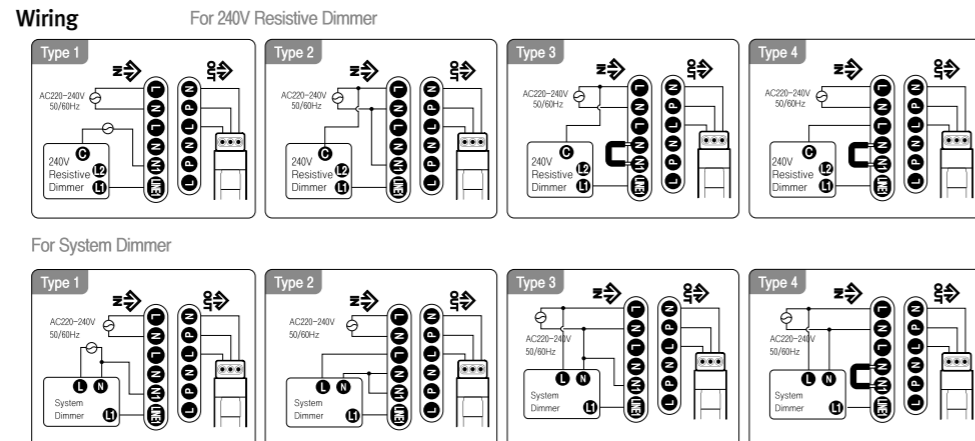
FDA-P1H (Phase to PWM translator)



Specification

Channel 1CH
 Input Signal Phase
 Output Signal PWM
 Output Load Max 10pcs of AC dimming products per Channel and up to 200W per feed

Wiring



FDA-P2M (DMX512 to PWM translator)



Specification

Channel 2CH (Up to 512CH extended)
 Input Signal DMX512
 Output Signal PWM
 Output Load Max 10pcs of AC dimming products per channel and up to 200W per channel

Wiring

