

## FLT Track System

Magnetic Low voltage Track System

High Quality, Low Voltage  
Slim-Profile Magnetic Track System



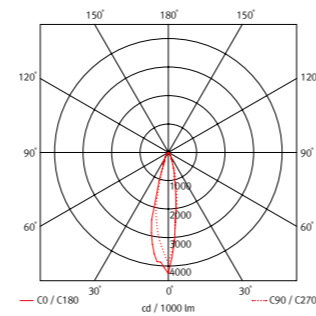
- Magnetic system for easy installation and adjustment
- Safe Low Voltage 24V DC
- Surface, Recessed and Pendant mount track available
- Black and White Finishes
- Various light fixtures and beam angle



# FLT Track System - Spot



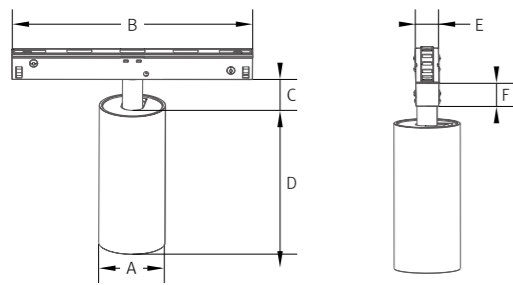
## Photometric data



## Specification

Model Name	Power Input	Lamp Power	Lumens (3000K)	Efficiency (3000K)	Color Rendering	Available color	Beam Angle	Operating Temperature
FLT-SS06 30K-24V	DC 24V	5.1 W	362 lm	74.5 lm/W	Ra >90	3,000K/4,000K/5,700K	15°/24°/36°	0~45°C

## Dimension

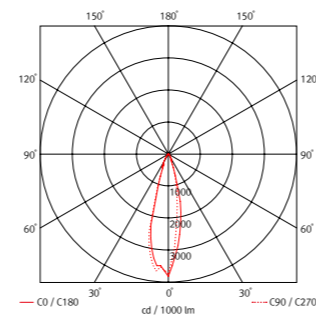


Model Name	A (mm)	B (mm)	C (mm)	D (mm)	E (mm)	F (mm)
FLT-SS06 30K-24V	46	167	16	102	16	18

Beam angle	Black	White
15°	FLT-SS06 30K-24V-BK-15	FLT-SS06 30K-24V-WT-15
24°	FLT-SS06 30K-24V-BK-24	FLT-SS06 30K-24V-WT-24
36°	FLT-SS06 30K-24V-BK-36	FLT-SS06 30K-24V-WT-36



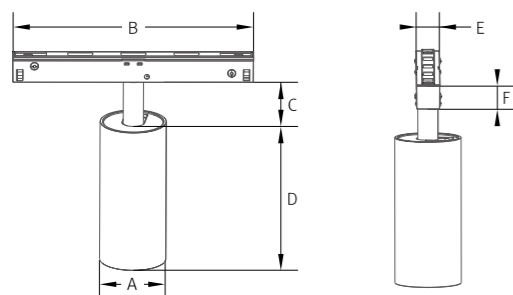
## Photometric data



## Specification

Model Name	Power Input	Lamp Power	Lumens (3500K)	Efficiency (3500K)	Color Rendering	Available color	Beam Angle	Operating Temperature
FLT-SS09 35K-24V	DC 24V	8.9 W	783 lm	88.5 lm/W	Ra >90	3,000K/3,500K/4,000K/5,700K	15°/24°/36°	0~45°C

## Dimension

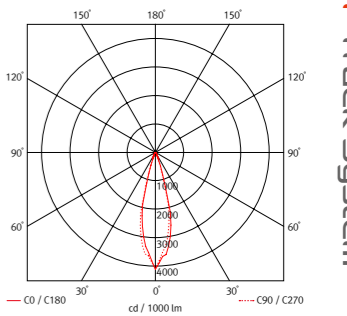


Model Name	A (mm)	B (mm)	C (mm)	D (mm)	E (mm)	F (mm)
FLT-SS09 35K-24V	46	167	33	102	16	18

Beam angle	Black	White
15°	FLT-SS09 35K-24V-BK-15	FLT-SS09 35K-24V-WT-15
24°	FLT-SS09 35K-24V-BK-24	FLT-SS09 35K-24V-WT-24
36°	FLT-SS09 35K-24V-BK-36	FLT-SS09 35K-24V-WT-36



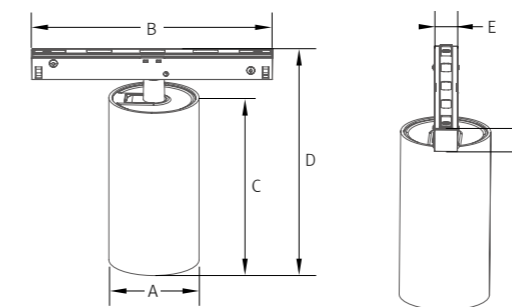
## Photometric data



## Specification

Model Name	Power Input	Lamp Power	Lumens (3000K)	Efficiency (3000K)	Color Rendering	Available color	Beam Angle	Operating Temperature
FLT-SS20 30K-24V	DC 24V	19 W	1,368 lm	74.9 lm/W	Ra >90	3,000K/4,000K/5,700K	15°/24°/36°	0~45°C

## Dimension

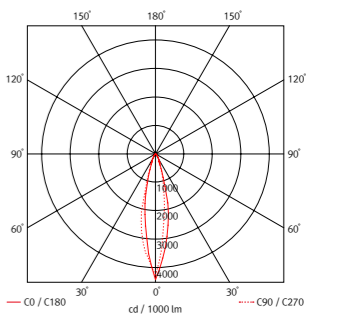


Model Name	A (mm)	B (mm)	C (mm)	D (mm)	E (mm)	F (mm)
FLT-SS20 30K-24V	62.5	167	120	154	16	18

Beam angle	Black	White
15°	FLT-SS20 30K-24V-BK-15	FLT-SS20 30K-24V-WT-15
24°	FLT-SS20 30K-24V-BK-24	FLT-SS20 30K-24V-WT-24
36°	FLT-SS20 30K-24V-BK-36	FLT-SS20 30K-24V-WT-36



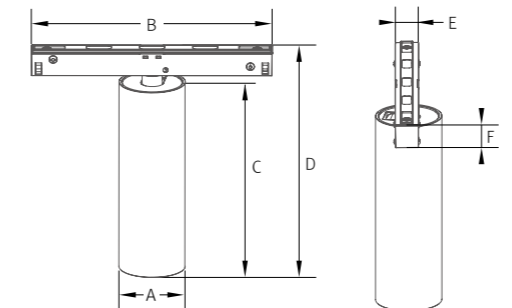
## Photometric data



## Specification

Model Name	Power Input	Lamp Power	Lumens (3000K)	Efficiency (3000K)	Color Rendering	Available color	Beam Angle	Operating Temperature
FLT-SL06 30K-24V	DC 24V	5.2 W	361 lm	69.5 lm/W	Ra >90	3,000K/4,000K/5,700K	15°/24°/36°	0~45°C

## Dimension



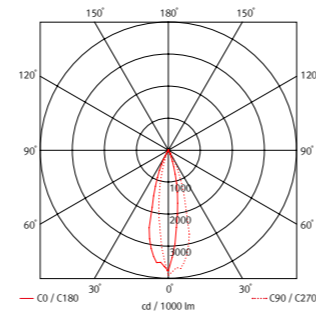
Model Name	A (mm)	B (mm)	C (mm)	D (mm)	E (mm)	F (mm)
FLT-SL06 30K-24V	46	167	200	226	16	18

Beam angle	Black	White
15°	FLT-SL06 30K-24V-BK-15	FLT-SL06 30K-24V-WT-15
24°	FLT-SL06 30K-24V-BK-24	FLT-SL06 30K-24V-WT-24
36°	FLT-SL06 30K-24V-BK-36	FLT-SL06 30K-24V-WT-36



FLT-SM02

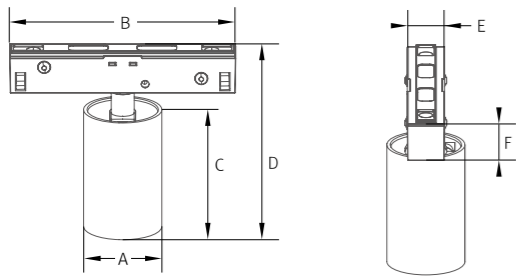
Photometric data



Specification

Model Name	Power Input	Lamp Power	Lumens (3000K)	Efficiency (3000K)	Color Rendering	Available color	Beam Angle	Operating Temperature
FLT-SM02 30K-24V	DC 24V	1.7 W	98 lm	58.6 lm/W	Ra >90	3,000K/4,000K/5,700K	24° / 36°	0 ~ 45°C

Dimension



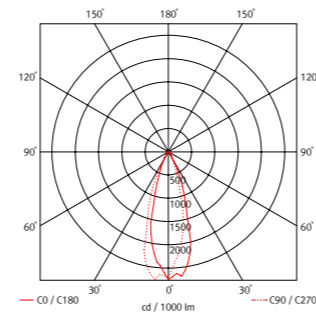
Model Name	A (mm)	B (mm)	C (mm)	D (mm)	E (mm)	F (mm)
FLT-SM02 30K-24V	34	98	56.5	85	16	16

Beam angle	Black	White
24°	FLT-SM02 30K-24V-BK-24	FLT-SM02 30K-24V-WT-24
36°	FLT-SM02 30K-24V-BK-36	FLT-SM02 30K-24V-WT-36



FLT-SM12

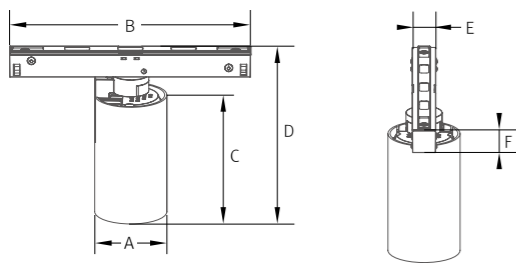
Photometric data



Specification

Model Name	Power Input	Lamp Power	Lumens (3000K)	Efficiency (3000K)	Color Rendering	Available color	Beam Angle	Operating Temperature
FLT-SM12 30K-24V	DC 24V	10.2 W	763 lm	74.5 lm/W	Ra >90	3,000K/4,000K/5,700K	24° / 36°	0 ~ 45°C

Dimension



Model Name	A (mm)	B (mm)	C (mm)	D (mm)	E (mm)	F (mm)
FLT-SM12 40K-24V	50	167	86	120	16	18

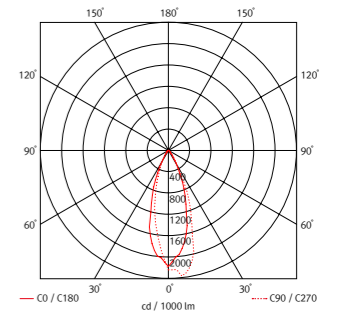
Beam angle	Black	White
24°	FLT-SM12 30K-24V-BK-24	FLT-SM12 30K-24V-WT-24
36°	FLT-SM12 30K-24V-BK-36	FLT-SM12 30K-24V-WT-36

FLT Track System - Stix



FLT-LS15

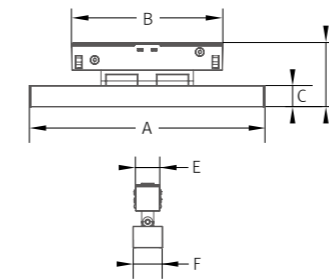
Photometric data



Specification

Model Name	Power Input	Lamp Power	Lumens (3000K)	Efficiency (3000K)	Color Rendering	Available color	Operating Temperature
FLT-LS15 30K-24V	DC 24V	5.9 W	497 lm	84.2 lm/W	Ra >90	3,000K/4,000K/5,700K	0 ~ 45°C

Dimension

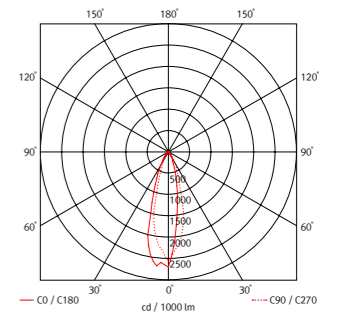


Model Name	A (mm)	B (mm)	C (mm)	D (mm)	E (mm)	F (mm)
FLT-LS15 30K-24V	153	98.5	14	42.2	16.2	19.5



FLT-LS30

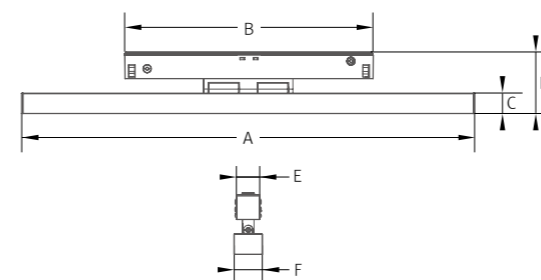
Photometric data



Specification

Model Name	Power Input	Lamp Power	Lumens (3000K)	Efficiency (3000K)	Color Rendering	Available color	Operating Temperature
FLT-LS30 30K-24V	DC 24V	11.5 W	941lm	81.8 lm/W	Ra >90	3,000K/4,000K/5,700K	0 ~ 45°C

Dimension

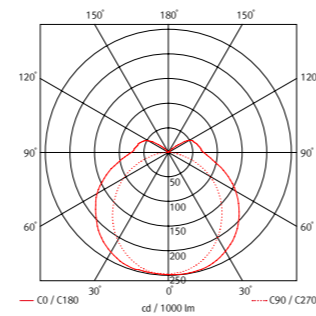


Model Name	A (mm)	B (mm)	C (mm)	D (mm)	E (mm)	F (mm)
FLT-SL06 30K-24V	304	167	14	42	16	19.5



FLT-LM30

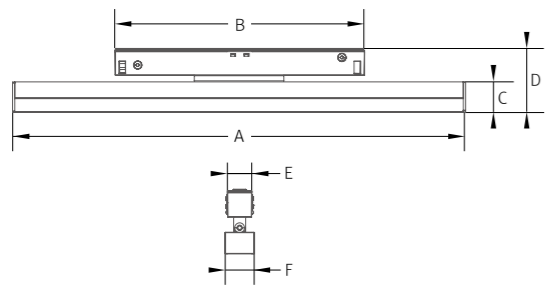
Photometric data



Specification

Model Name	Power Input	Lamp Power	Lumens (3000K)	Efficiency (3000K)	Color Rendering	Available color	Operating Temperature
FLT-LM30 30K-24V	DC 24V	8.6 W	556 lm	65.1 lm/W	Ra >90	3,000K/4,000K/5,700K	0 ~ 45°C

Dimension



Model Name	A (mm)	B (mm)	C (mm)	D (mm)	E (mm)	F (mm)
FLT-LM30 30K-24V	303	167	20.5	43	16	20.5

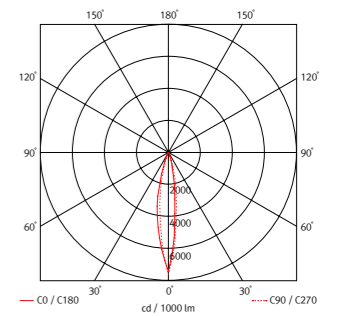


FLT Track System - Pendant



FLT-SP20

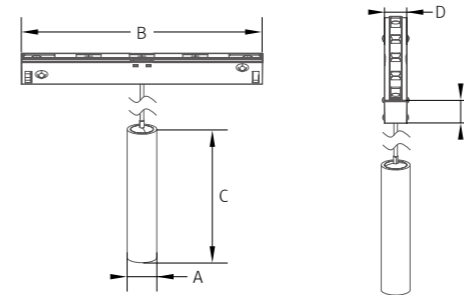
Photometric data



Specification

Model Name	Power Input	Lamp Power	Lumens (3000K)	Efficiency (3000K)	Color Rendering	Available color	Beam Angle	Operating Temperature
FLT-SP20 30K-24V	DC 24V	1.7 W	89 lm	53.2 lm/W	Ra >90	3,000K/4,000K/5,700K	20°	0 ~ 45°C

Dimension



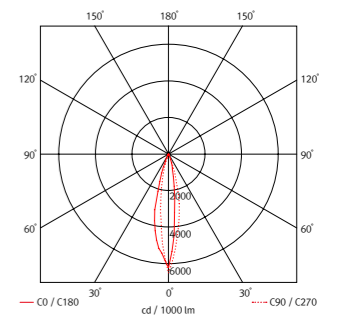
Model Name	A (mm)	B (mm)	C (mm)	D (mm)	E (mm)
FLT-SP30 30K-24V	20.5	167	200	16	18

Beam angle	Black	White
20°	FLT-SP20 30K-24V-BK-20	FLT-SP20 30K-24V-WT-20



FLT-SP30

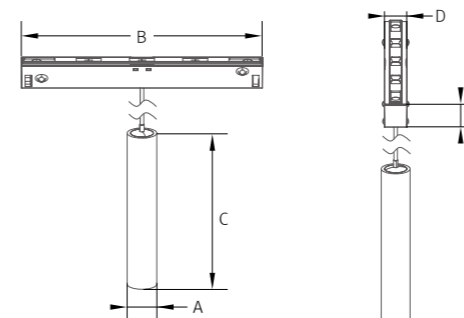
Photometric data



Specification

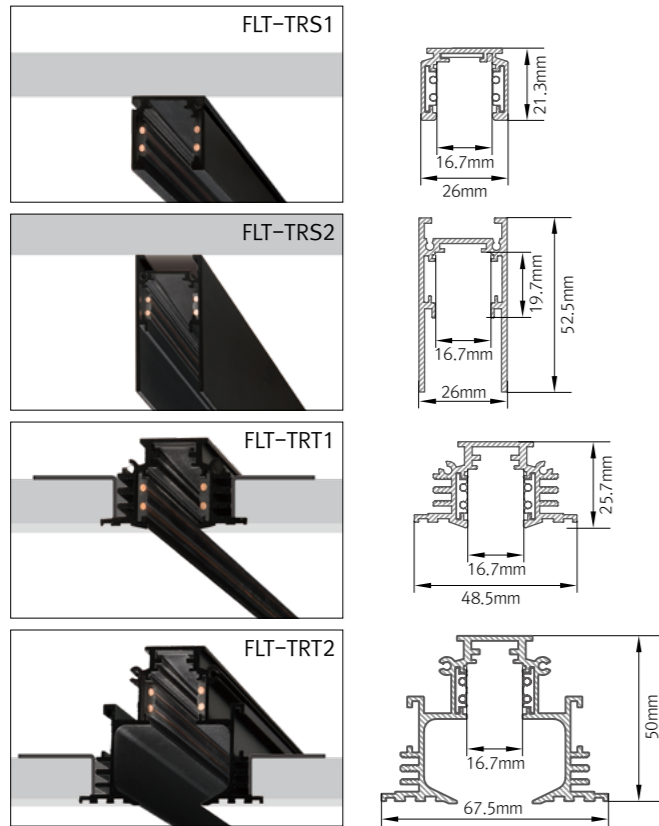
Model Name	Power Input	Lamp Power	Lumens (3000K)	Efficiency (3000K)	Color Rendering	Available color	Beam Angle	Operating Temperature
FLT-SP30 30K-24V	DC 24V	2.8 W	81 lm	28.7 lm/W	Ra >90	3,000K/4,000K/5,700K	20°	0 ~ 45°C

Dimension



Model Name	A (mm)	B (mm)	C (mm)	D (mm)	E (mm)
FLT-SP30 30K-24V	20.5	167	300	16	18

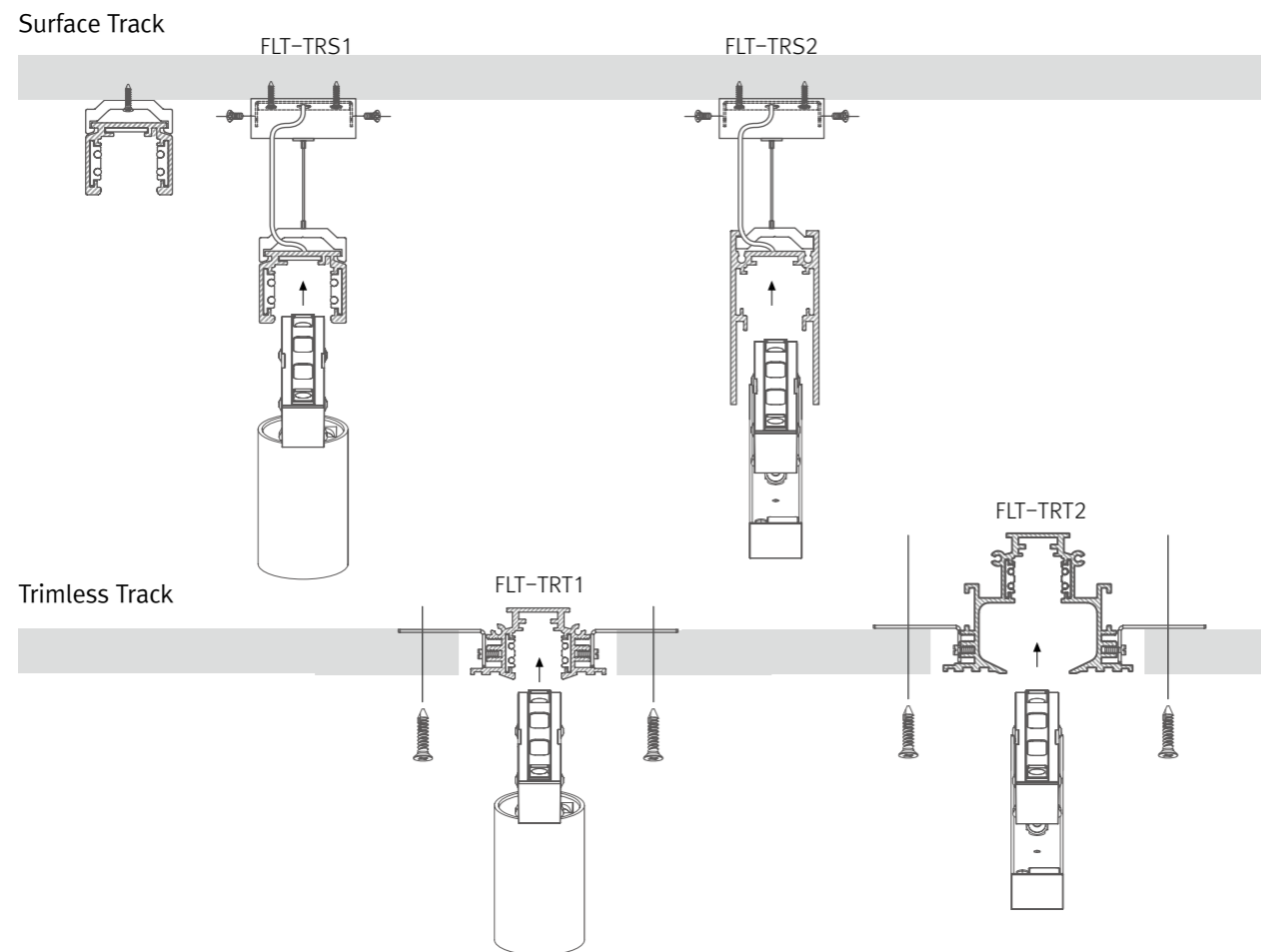
Beam angle	Black	White
20°	FLT-SP30 30K-24V-BK-20	FLT-SP30 30K-24V-WT-20



\* Compatible fixtures

Fixture	FLT Track			
	FLT-TRS1	FLT-TRS2	FLT-TRT1	FLT-TRT2
FLT-SS06	○		○	
FLT-SS09	○	○	○	○
FLT-SS20	○		○	
FLT-SL06	○		○	
FLT-SM02	○		○	
FLT-SM12	○		○	
FLT-LS15	○	○	○	○
FLT-LM30	○	○	○	○
FLT-SP20	○	○	○	○
FLT-SP30	○	○	○	○

Installation



Accessories

- Ⓐ Power Connector for FLT  
FLTOPC
- Ⓑ Direct Connector for FLT Track  
FLTCPL
- Ⓒ Connector Bracket for FLT Track  
FLT-BRACKET-C
- Ⓓ Suspension Bracket for FLT-TRS1 and FLT-TRS2  
FLT-BRACKET-S1  
FLT-BRACKET-S2
- Ⓔ Suspension Power Kit for FLT FLT-TRS1 and FLT-TRS2  
FLT-SK1  
FLT-SK2
- Ⓛ Fixer for TRT1 Track  
FLT-FIXER-T1
- Ⓜ Fixer for TRT2 Track  
FLT-FIXER-T2
- Ⓨ Joint Bracket for FLT Track  
FLT-JOINT BRACKET
- Ⓩ Net Plate for Trimless Track  
FLT-NET PLATE
- ⓐ LED Driver with 12way distributor, with power cord (1,800mm)  

Part No	FLC30-24V/T	FLC75-24V-P/T
Capacity	30W 24V	75W 24V
- ⓑ LED Driver : FLC200-24V/T (200W DC24V)  
LED Driver With 12way distributor
- ⓓ Dimming Interface (1-10V) : FDC-L10  
Max. 100W (100W/CH, 1CH)
- ⓔ Dimming Interface (0-10/1-10, DMX512)  
FDA-L2M0 : Max. 200W (100W/CH, 2CH)  
FDA-L5M : Max. 200W (50W/CH, 5CH)
- ⓕ Dimming Interface (Dali) : FDD-L1DA  
Max. 200W (100W/CH, 1CH)

