

FLX Spot DVS

LED for Kitchen cabinet, Displays & Furniture

Super Slim LED Recessed Spotlight



- Linkable together with FLX series
- Single 4W diode eliminates multiple shadows
- Virtually no heat emission and no UV radiation
- Available in silver, gold, white, black
- To be used with constant voltage DC 24V driver
- Dimmable with available accessories

Various color

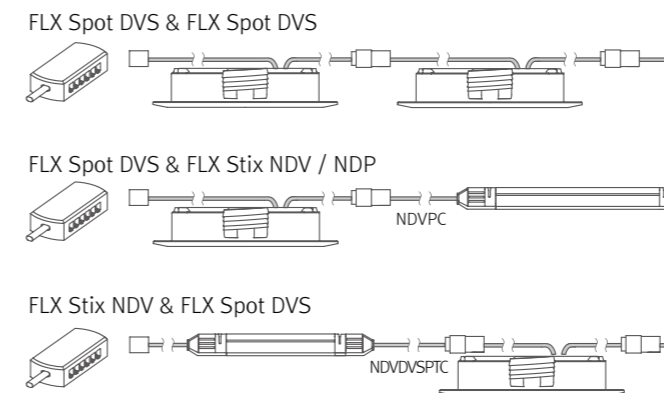




Various options



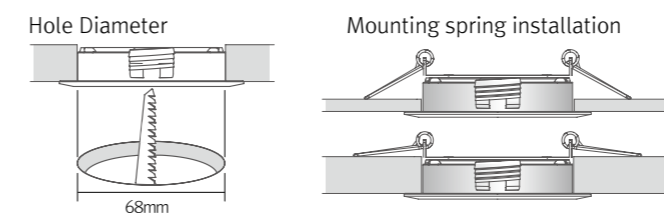
Installation



Max. connection of linked fixtures

- FLX Spot DVS : Max 7pcs in a row
- LED Driver

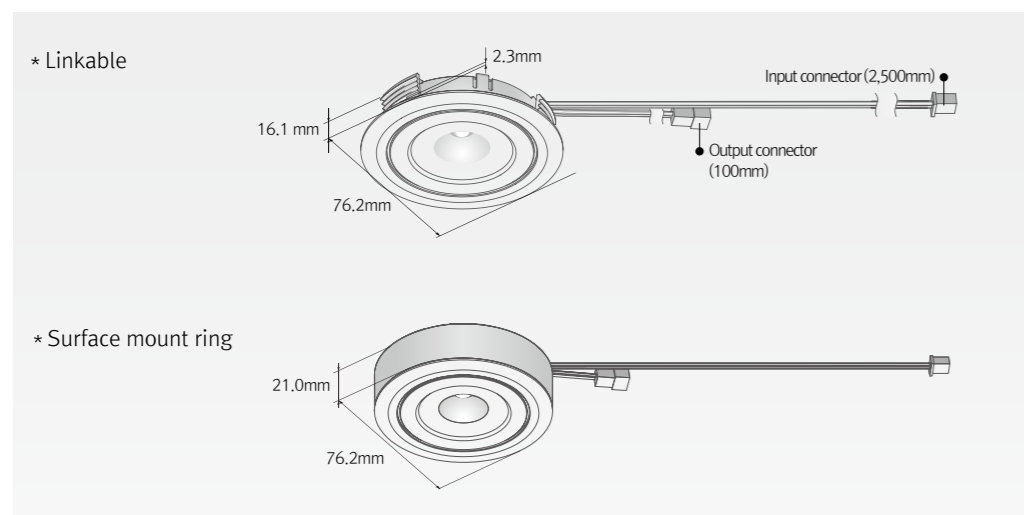
Model Name	Max. units for LED driver		
	24V/30W	24V/75W	24V/200W
DVS4A 40K-24V	7	17	47



Specification

Model Name	Color	Power Input	Lamp Power	Lumens	Efficiency	Color Rendering	Available Color	Beam Angle	Operating Temperature
DVS4A 40K-24V-WT-25	White	DC 24V	4.5 W	487 lm	108 lm/w	Ra > 80	2,700K/3,000K/3,500K/4,000K/5,700K	25°	0 ~ 45°C
DVS4A 40K-24V-WT-45	Black	DC 24V	4.6 W	502 lm	109 lm/w	Ra > 80	2,700K/3,000K/3,500K/4,000K/5,700K	45°	0 ~ 45°C
DVS4A 40K-24V-WT-60	Silver	DC 24V	4.6 W	493 lm	107 lm/w	Ra > 80	2,700K/3,000K/3,500K/4,000K/5,700K	60°	0 ~ 45°C
	Gold	DC 24V	4.6 W	493 lm	107 lm/w	Ra > 80	2,700K/3,000K/3,500K/4,000K/5,700K	60°	0 ~ 45°C

Dimension



Accessories

	<p>Ⓐ FLX Spot DVS</p> <table border="1"> <thead> <tr> <th>White</th> <th>Black</th> <th>Gold</th> <th>Silver</th> </tr> </thead> <tbody> <tr> <td>DVS4A 40K-24V-WT</td> <td>DVS4A 40K-24V-BK</td> <td>DVS4A 40K-24V-GD</td> <td>DVS4A 40K-24V-SV</td> </tr> </tbody> </table>	White	Black	Gold	Silver	DVS4A 40K-24V-WT	DVS4A 40K-24V-BK	DVS4A 40K-24V-GD	DVS4A 40K-24V-SV
White	Black	Gold	Silver						
DVS4A 40K-24V-WT	DVS4A 40K-24V-BK	DVS4A 40K-24V-GD	DVS4A 40K-24V-SV						
	<p>Ⓑ Extension cable : DVSPTC (2,500mm) Between FLX Spot DVS & FLX Spot DVS or 12 way distributor</p>								
	<p>Ⓒ Connecting cable : NDVDVSPTC (1,000mm) Between FLX Spot DVS & FLX Stix NDV * Available Color : Black, Gray</p>								
	<p>Ⓓ Connecting cable : NDVPC (2,500mm) Between FLX Stix NDV & FLX Spot DVS * Available Color : Black, Gray</p>								

Ⓔ LED Driver with 12way distributor, with power cord (1,800mm)

Part No	FLC30-24V/T	FLC75-24V-P/T
Capacity	30W 24V	75W 24V



Ⓛ LED Driver : FLC200-24V/T (200W DC24V)

LED Driver With 12way distributor



Ⓜ Dimming Interface (1-10V) : FDC-L10

Max. 100W (100W/CH, 1CH)



Ⓨ Dimming Interface (0-10/1-10,DMX512)

FDA-L2M0 : Max. 200W (100W/CH, 2CH)
FDA-L5M : Max. 200W (50W/CH, 5CH)



Ⓩ Dimming Interface (Dail) : FDD-L1DA

Max. 200W (100W/CH, 1CH)



ⓐ Mounting spring : DVS spring



ⓑ Surface mount ring

White	Black	Gold	Silver
DVS MR-WT	DVS MR-BK	DVS MR-GD	DVS MR-SV



ⓓ Deco Ring

White	Black	Gold	Silver
DVS DR-WT	DVS DR-BK	DVS DR-GD	DVS DR-SV



Ⓧ Door and motion detection sensor (DC) : FLS-M24V

Voltage : DC 24V



Ⓨ Human-body detection sensor (DC) : FLS-P24V

Voltage : DC 24V

