

FLX Stix HDPro

LED for Display, Cabinet, Furniture & Cove

Linear Perfection with High Output HDP



- Super slim linear LED with spot free high output
- Quick connection system
- Perfected with color consistency
- No dark spot at the linkage point for continuous seamless effect
- Various mounting methods including magnetic
- Dimmable with available accessories





FLX Stix HDPro
High Output



HDP3 / FLX Stix HDPro 3W Length (145mm)



HDP6 / FLX Stix HDPro 6W Length (285mm)



HDP12 / FLX Stix HDPro 12W Length (564mm)

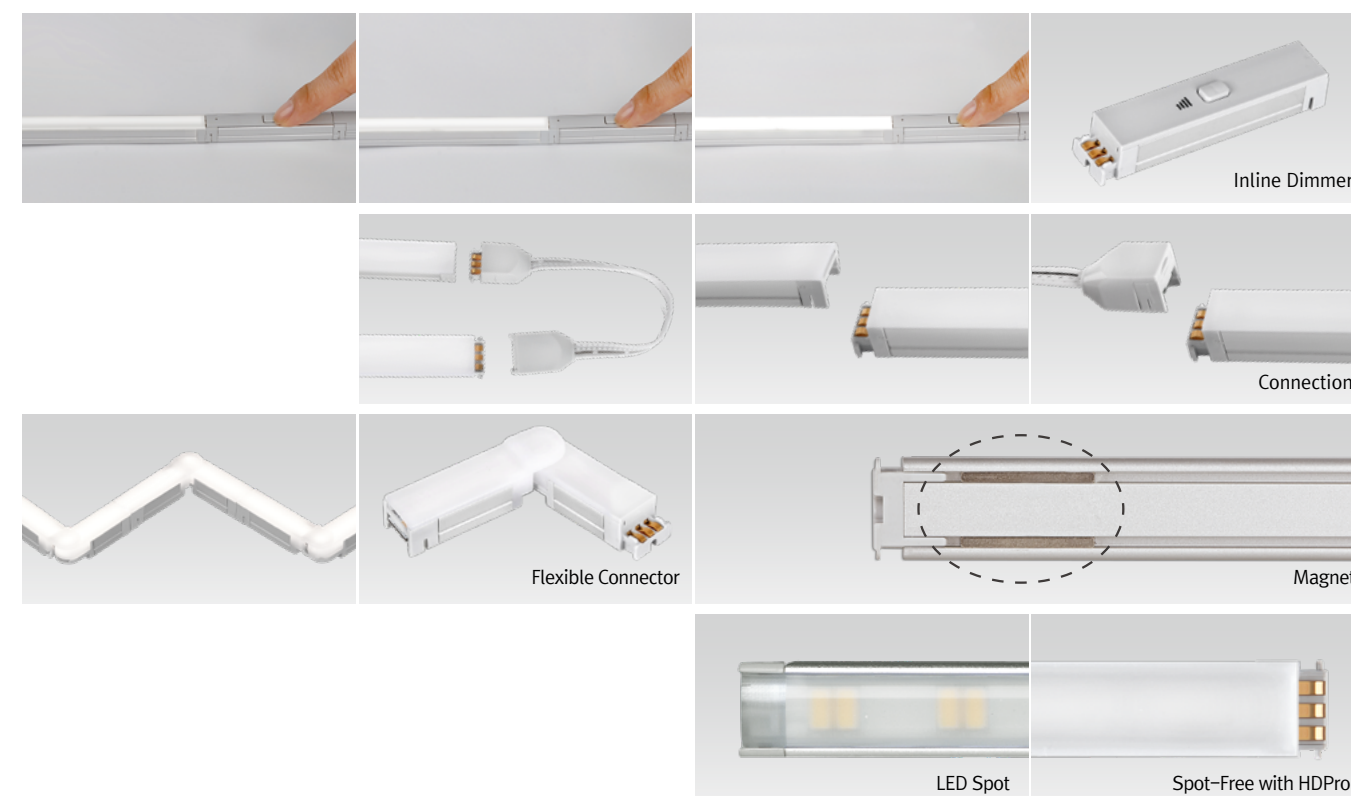


HDP18 / FLX Stix HDPro 18W Length (843mm)

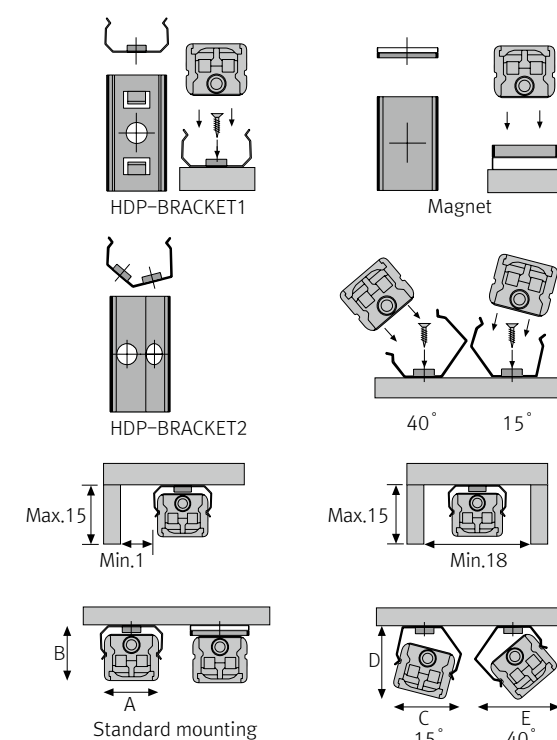


HDP24 / FLX Stix HDPro 24W Length (1,122mm)

Various options



Installation



Max. connection

- 75W in one row (single power feed)
- LED Driver

Model Name	Max. units for LED Driver		
	24V/30W	24V/75W	24V/200W
HDP3 40K-24V-C90	10	25	71
HDP6 40K-24V-C90	5	12	34
HDP12 40K-24V-C90	2	6	17
HDP18 40K-24V-C90	1	4	11
HDP24 40K-24V-C90	1	4	8

- W/ Bracket

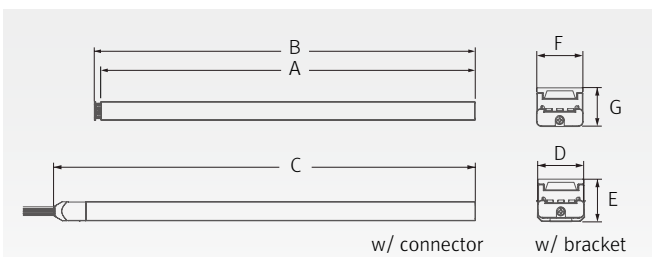
	A(mm)	B(mm)	C(mm)	D(mm)	E(mm)	F(mm)
Flat type	16	14	18.3	18	21	19.6

Specification

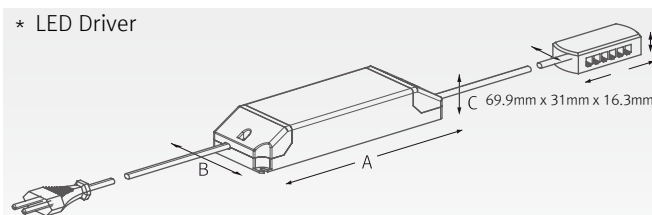
Model Name	Power Input	Lamp Power	Lumens	Efficiency	Color Rendering	Available Color	Operating Temperature
HDP3 40K-24V-C90	DC 24V	2.9 W	205 lm	82 lm/W	Ra > 90	2,200K/2,500K/2,700K/3,000K/3,500K/4,000K/ 5,000K/5,700K	0 ~ 45°C
HDP6 40K-24V-C90	DC 24V	5.7 W	408 lm	72 lm/W	Ra > 90	2,200K/2,500K/2,700K/3,000K/3,500K/4,000K/ 5,000K/5,700K	0 ~ 45°C
HDP12 40K-24V-C90	DC 24V	11.5 W	832 lm	72 lm/W	Ra > 90	2,200K/2,500K/2,700K/3,000K/3,500K/4,000K/ 5,000K/5,700K	0 ~ 45°C
HDP18 40K-24V-C90	DC 24V	17.3 W	1,259 lm	73 lm/W	Ra > 90	2,200K/2,500K/2,700K/3,000K/3,500K/4,000K/ 5,000K/5,700K	0 ~ 45°C
HDP24 40K-24V-C90	DC 24V	22.8 W	1,677 lm	73 lm/W	Ra > 90	2,200K/2,500K/2,700K/3,000K/3,500K/4,000K/ 5,000K/5,700K	0 ~ 45°C

Dimension

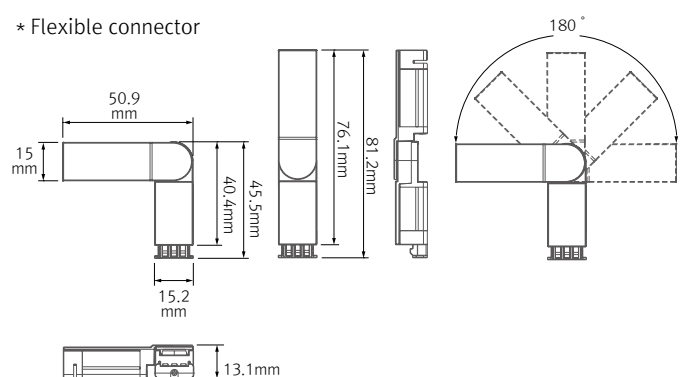
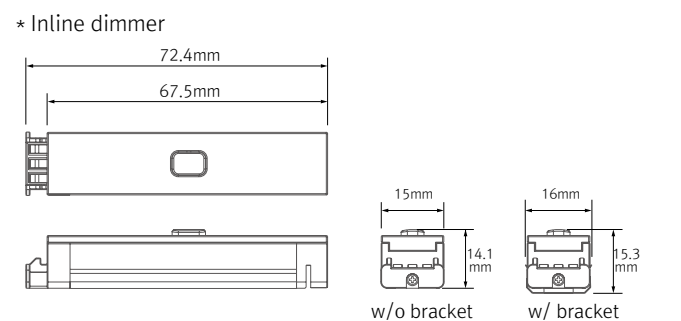
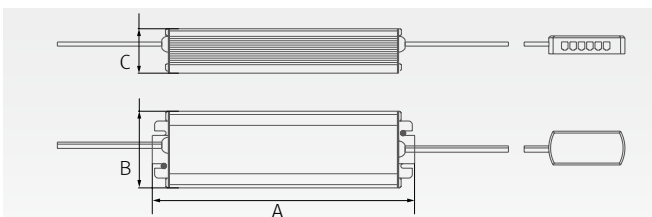
Model Name	Power Input (V)	Lamp Power (W)	A (mm)	B (mm)	C (mm)	D (mm)	E (mm)	F (mm)	G (mm)
HDP3 40K-24V-C90	DC 24	2.9	140	145	163	16	138	15	12.6
HDP6 40K-24V-C90	DC 24	5.7	280	285	303	16	138	15	12.6
HDP12 40K-24V-C90	DC 24	11.5	559	564	582	16	138	15	12.6
HDP18 40K-24V-C90	DC 24	17.3	838	843	861	16	138	15	12.6
HDP24 40K-24V-C90	DC 24	22.8	1,117	1,122	1,141	16	138	15	12.6



Model Name	A (mm)	B (mm)	C (mm)
FLC30-24V/T	150	41	31
FLC75-24V-P/T	180	60	32



Model Name	A (mm)	B (mm)	C (mm)
FLC200-24V/T	228	68	39



Accessories

- Ⓐ Connecting cables (between FLX Stix HDPro & FLX Stix HDPro)**

HDPPTC	HDPPTC1	HDPPTC2	HDPPTC4	HDPPTC6
150mm(6inch)	300mm(1feet)	600mm(2feet)	1,200mm(4feet)	1,800mm(6feet)

* Available Color : Black, Gray
- Ⓑ Power cable : HDPPC (2,500mm)**

Power cable (Between FLX Stix HDP/DDP & 12-way distributor)

* Available Color : Black, Gray
- Ⓒ Mounting bracket : HDP-BRACKET1**

HDP-BRACKET1(A) : 1set = 2pcs
HDP-BRACKET1(B) : 1set = 3pcs
- Ⓓ Angle bracket (15° & 40°) : HDP-BRACKET2**

HDP-BRACKET2(A) : 1set = 2pcs
HDP-BRACKET2(B) : 1set = 3pcs
- Ⓔ Sidefeed for seamless extension (3W) : HDP3 40K-24V-C90-S**
- Ⓘ Flexible Connector : HDP2 40K-24V-C90-FLEX**
- Ⓣ End cap : HDP-CAP**
- Ⓚ LED Driver with 12way distributor, with power cord (1800mm)**

Part No	FLC30-24V/T	FLC75-24V-P/T
Capacity	30W 24V	75W 24V
- Ⓛ LED Driver : FLC200-24V/T (200W DC24V)**

LED Driver With 12way distributor
- Ⓜ Dimming Interface (1-10V) : FDC-L10**

Max. 100W (100W/CH, 1CH)
- Ⓨ Dimming Interface(0-10/1-10,DMX512)**

FDA-L2M0 : Max. 200W (100W/CH, 2CH)
FDA-L5M : Max. 200W (50W/CH, 5CH)
- Ⓩ Dimming Interface (Dali) : FDD-L1DA**

Max. 200W (100W/CH, 1CH)
- ⓐ Occupancy Sensor : HDP-OSM**

HDP Occupancy Sensor Inline Module
- ⓑ Inline dimmer : HDPDIM**

Max 75W in a row
- ⓓ Door and motion detection sensor : FLS-M24V**

Voltage : DC 24V
- ⓔ Human-body detection sensor : FLS-P24V**

Voltage : DC 24V

