

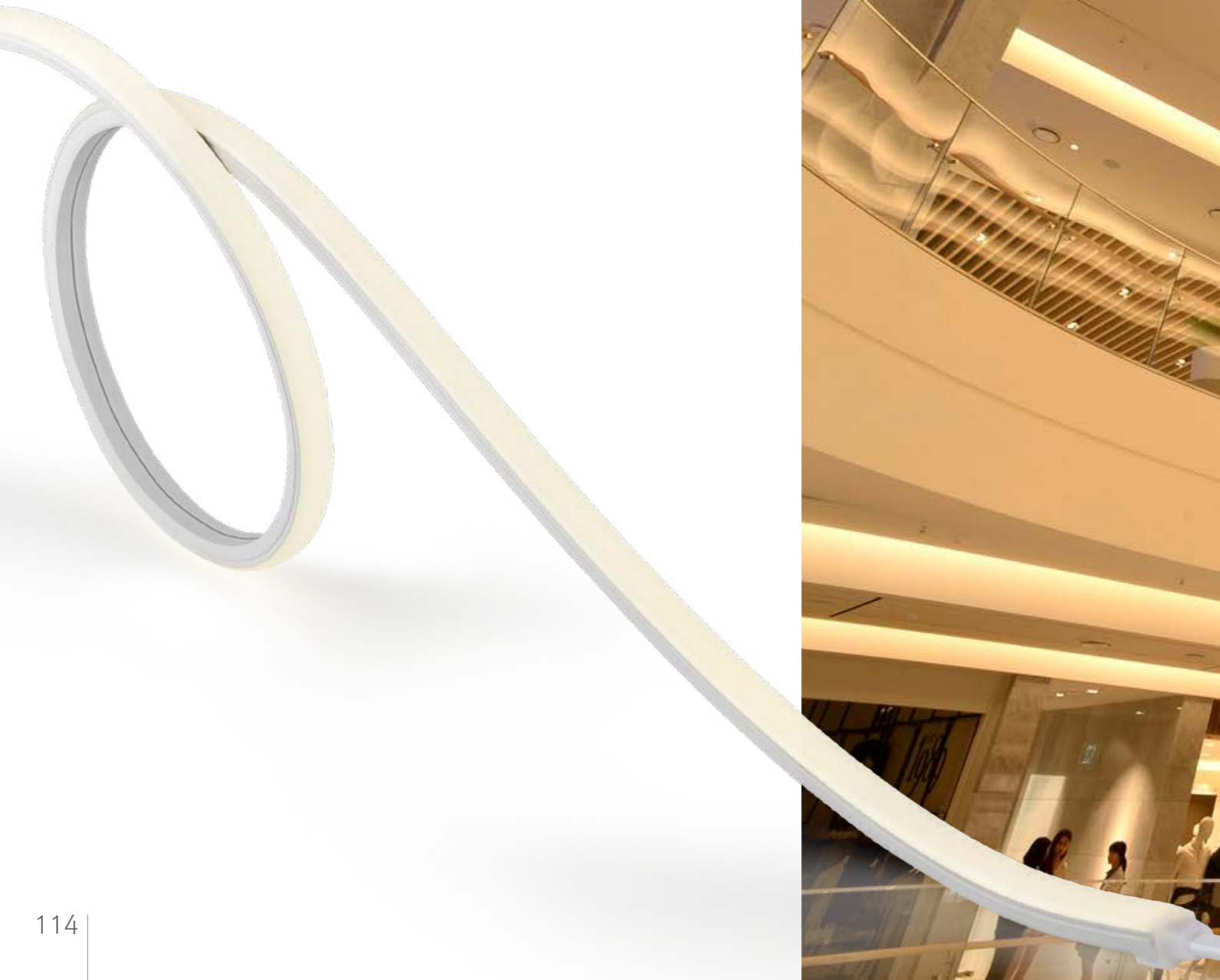
FLXible Neon 2

Super Slim Flexible LED With Spot-free Output

Curve perfection with FLXible Neon



- Bend direction Vertically
- Ultra Slim spot free illumination
- Dimmable with 0-10V, Forward/Reverse Phase
- Indoor and Outdoor Application
- Field Cuttable (38.5mm) for customized length
- Available in Standard Lengths of 1, 2, 3, 4, 5M reels



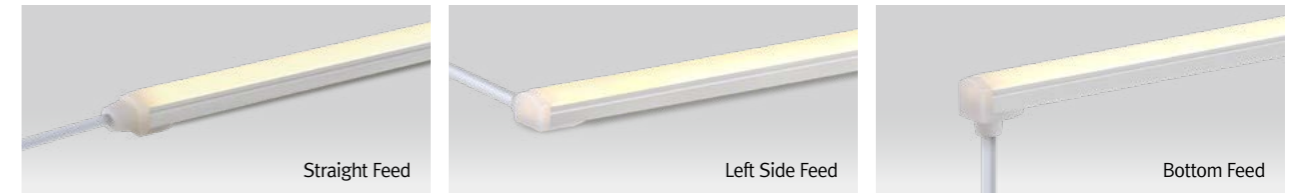


Specification

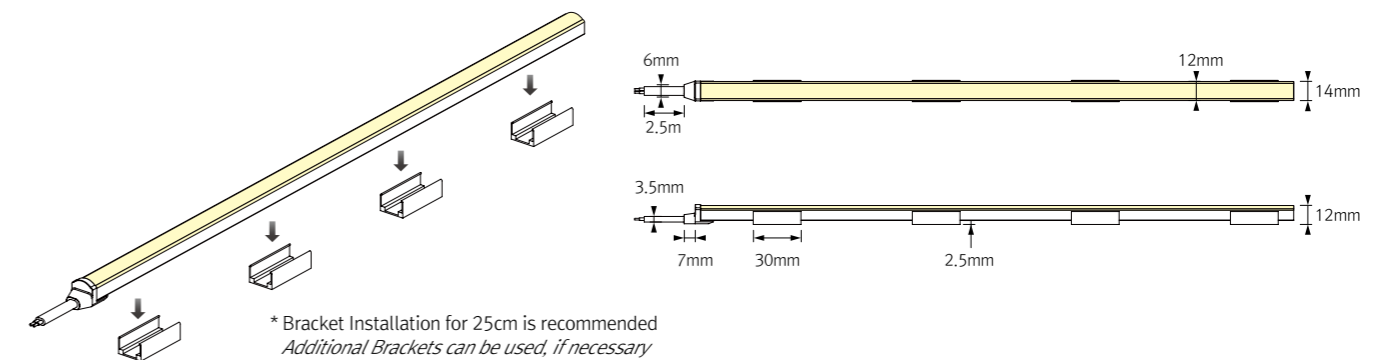
Model Number	Power Input	Lamp Power	Luminous Flux	Efficiency	Available Color	Color Rendering	Operating Temperature
FN2 40K-24V-1M	DC24V	12.5W/M	650 lm	65 lm/W	2,200K/2,400K/3,000K/3,500K/4,000K/5,000K/6,000K	Ra > 80	-10°C to 50°C
FN2 40K-24V-2M	DC24V	12.5W/M	1,300 lm	65 lm/W	2,200K/2,400K/3,000K/3,500K/4,000K/5,000K/6,000K	Ra > 80	-10°C to 50°C
FN2 40K-24V-3M	DC24V	12.5W/M	1,950 lm	65 lm/W	2,200K/2,400K/3,000K/3,500K/4,000K/5,000K/6,000K	Ra > 80	-10°C to 50°C
FN2 40K-24V-4M	DC24V	12.5W/M	2,600 lm	65 lm/W	2,200K/2,400K/3,000K/3,500K/4,000K/5,000K/6,000K	Ra > 80	-10°C to 50°C
FN2 40K-24V-5M	DC24V	12.5W/M	3,250 lm	65 lm/W	2,200K/2,400K/3,000K/3,500K/4,000K/5,000K/6,000K	Ra > 80	-10°C to 50°C

* Ip Rate
 IP67 with Factory Termination (Customized Length Available)
 IP65 with Field Termination
 IP20 with Indoor Termination

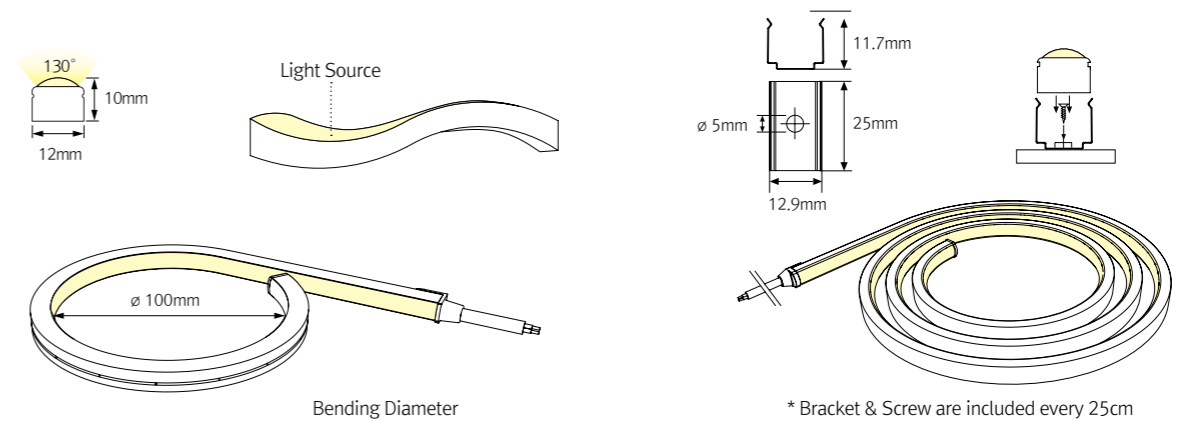
Powerfeed type



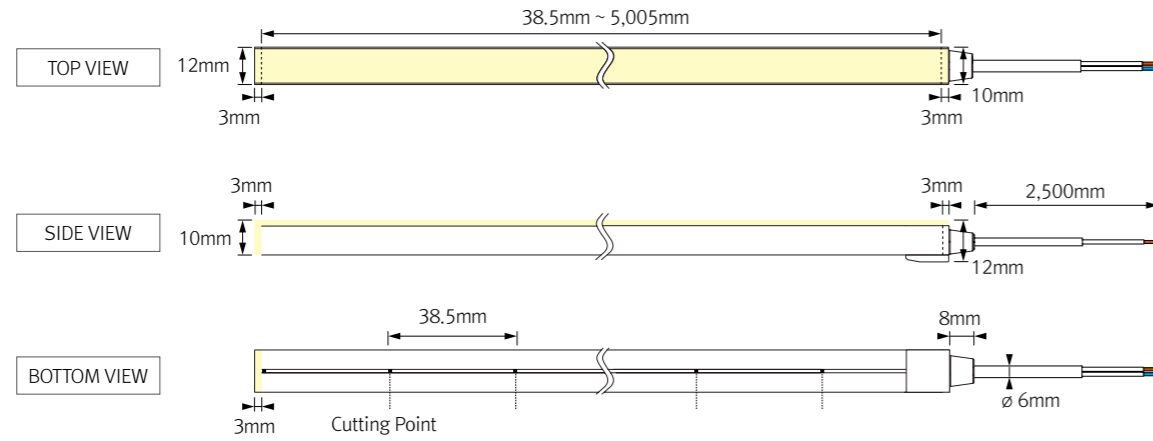
Installation



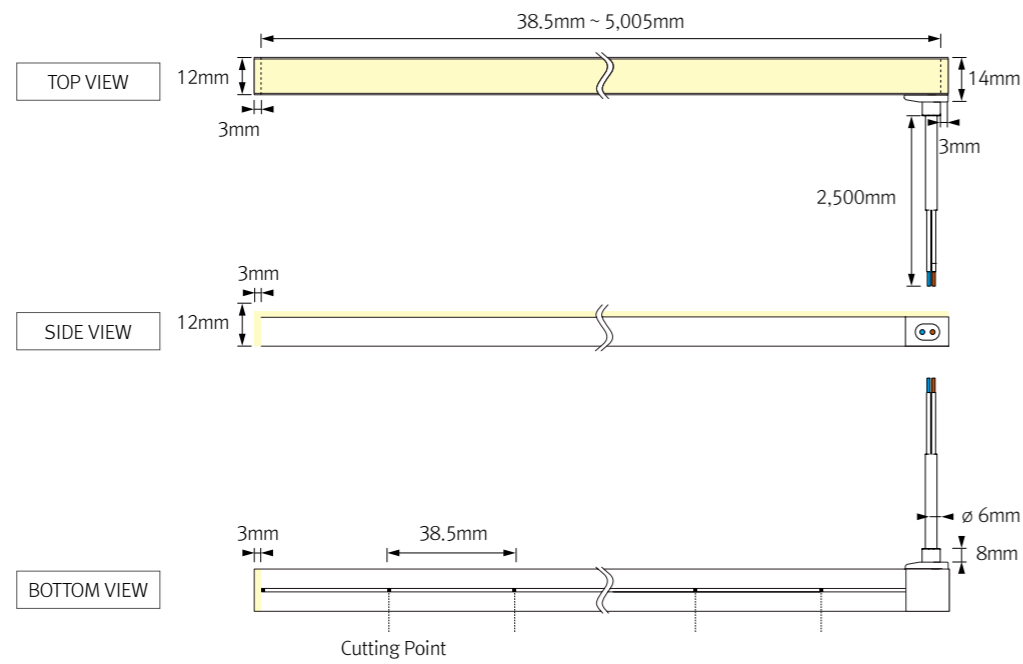
Physical specifications



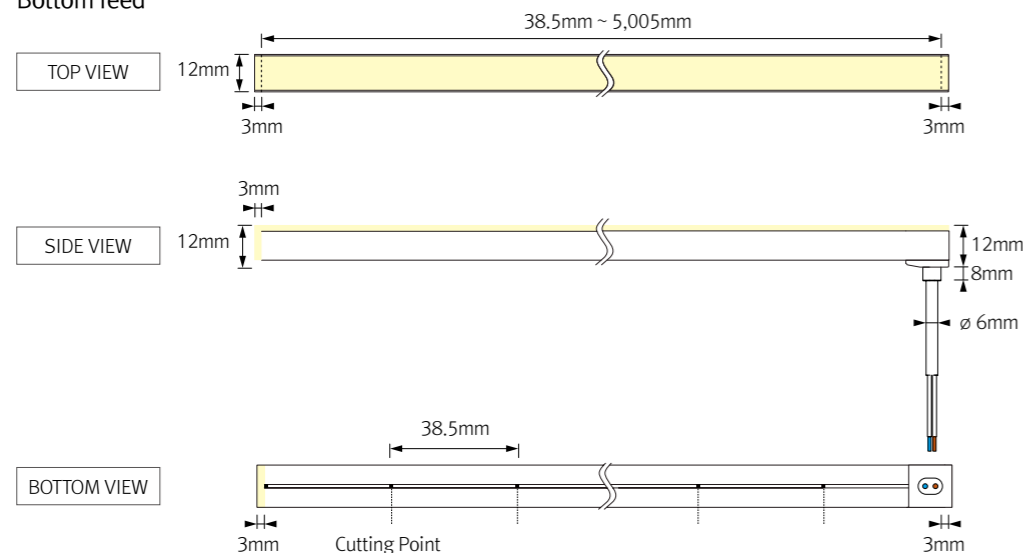
Straight Feed



Left Side Feed



Bottom feed



FLXible Neon can be cut every 38.5mm.
Please follow the cutting point mark to cut precisely as needed.

Accessories

Ⓐ FLXible Neon 2 Straight Feed (Customized Length Available)

- FN2 40K-24V (5m) FN2 40K-24V (2m)
- FN2 40K-24V (4m) FN2 40K-24V (1m)
- FN2 40K-24V (3m)

Ⓑ FLXible Neon 2 Left Side Feed (Customized Length Available)

- FN2 40K-24V-LS (5m) FN2 40K-24V-LS (2m)
- FN2 40K-24V-LS (4m) FN2 40K-24V-LS (1m)
- FN2 40K-24V-LS (3m)

Ⓒ FLXible Neon 2 Bottom Feed (Customized Length Available)

- FN2 40K-24V-BS (5m) FN2 40K-24V-BS (2m)
- FN2 40K-24V-BS (4m) FN2 40K-24V-BS (1m)
- FN2 40K-24V-BS (3m)

Ⓓ Mounting Brackets

- FN2-BRACKET1, 1set = 4pcs

Ⓔ FN2 Extrusion Line (1,200mm)

- FN2-EXL

Ⓕ Transparent Brackets

- FN2 - BRACKETS1-T

Ⓖ Expanding Stick

- FN-EPS

Ⓗ Indoor Power Cable (Max.62.5W)

- FN2-INPC (2,500mm) with END CAP

Ⓘ Indoor Power Cable Bottom Feed (Max.62.5W)

- FN2-INPC-BS (2,500mm) with END CAP

Ⓛ Indoor Direct Connector

- FN2-INCP

Ⓚ Indoor Connecting Cable

- FN2-INPTC (150mm) FN2-INPTC4 (1,200mm)
- FN2-INPTC1 (300mm) FN2-INPTC6 (1,800mm)
- FN2-INPTC2 (600mm)

Ⓛ Field Termination

- FN2-FTKIT

Ⓜ LED Driver with 12way distributor, with power cord (1,800mm)

Part No	FLC30-24V/T	FLC75-24V-P/T
Capacity	30W 24V	75W 24V

Ⓝ LED Driver : FLC200-24V/T (200W, DC24V)

- LED Driver with 12way distributor

Ⓞ Dimming Interface (0-10 V) : FDC-L10

- Max. 100W (100W/CH, 1CH)

Ⓟ Dimming Interface (0-10/1-10, DMX512)

- FDA-L2M0 : Max. 200W (100W/CH, 2CH)
- FDA-L5M : Max. 200W (50W/CH, 5CH)

Ⓠ Dimming Interface (Dai): FDD-L1DA

- Max. 200W (100W/fed, 2feeds)

