

## FLXible Neon 2 Dual

Super Slim Flexible LED With Spot-free Output

Shift your mood with flexibility



- Bend direction Vertically
- Ultra Slim spot free illumination
- Dimmable with 0-10V, Forward/Reverse Phase
- Indoor and Outdoor Application
- Field Cuttable (38.5mm) for customized length
- Available in Standard Lengths of 1, 2, 3, 4, 5M reels
- Tunable white





## Specification

Model Number	Power Input	Lamp Power	Luminous Flux	Efficiency	Available Color	Color Rendering	Operating Temperature
FN2 SC-24V-1M	DC24V	12.5 W/M	500 lm	50 lm/W	2,200K ~ 4,000K	Ra > 80	-10°C to 50°C
FN2 SC-24V-2M	DC24V	12.5 W/M	1,000 lm	50 lm/W	2,200K ~ 4,000K	Ra > 80	-10°C to 50°C
FN2 SC-24V-3M	DC24V	12.5 W/M	1,500 lm	50 lm/W	2,200K ~ 4,000K	Ra > 80	-10°C to 50°C
FN2 SC-24V-4M	DC24V	12.5 W/M	2,000 lm	50 lm/W	2,200K ~ 4,000K	Ra > 80	-10°C to 50°C
FN2 SC-24V-5M	DC24V	12.5 W/M	2,500 lm	50 lm/W	2,200K ~ 4,000K	Ra > 80	-10°C to 50°C

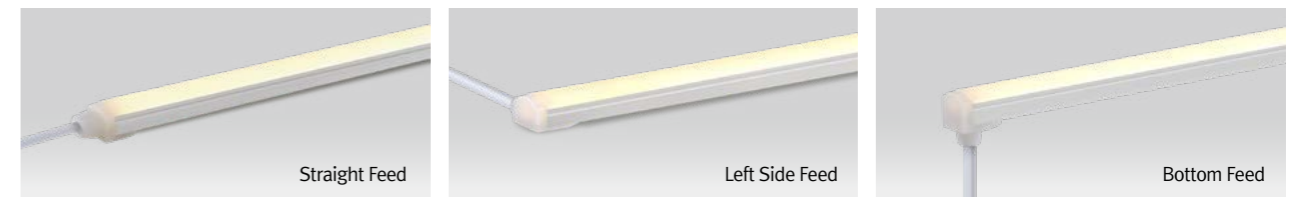
### \* Ip Rate

- IP67 with Factory Termination (Customized Length Available)
- IP65 with Field Termination
- IP20 with Indoor Termination

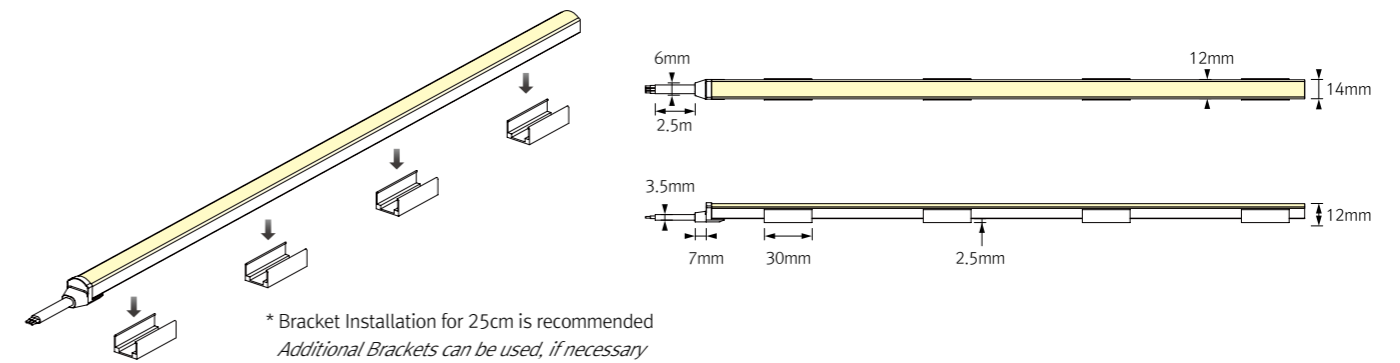
## Various options



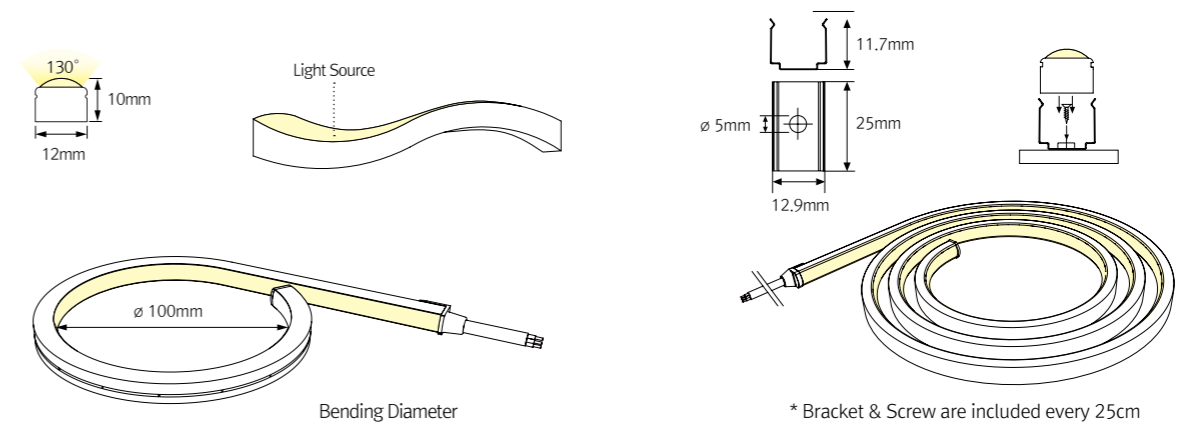
## Powerfeed type



## Installation

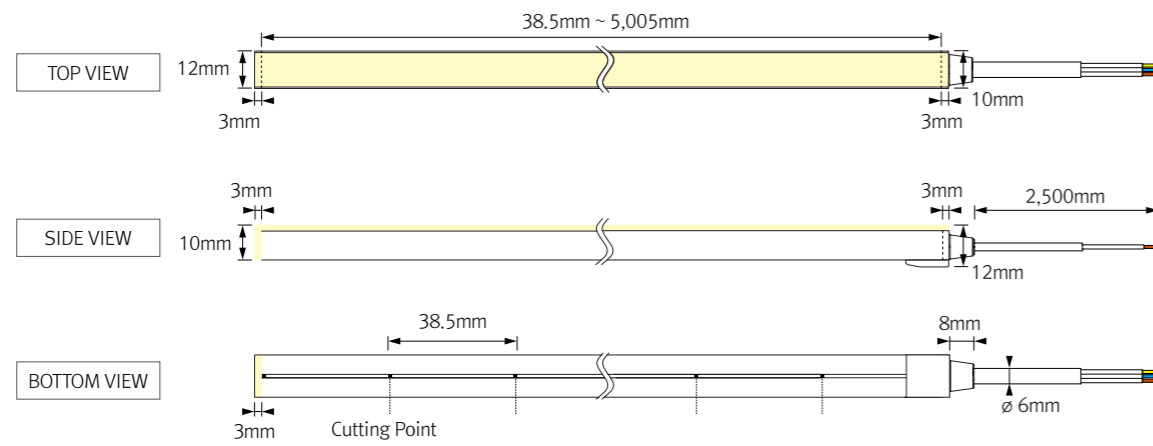


## Physical specifications

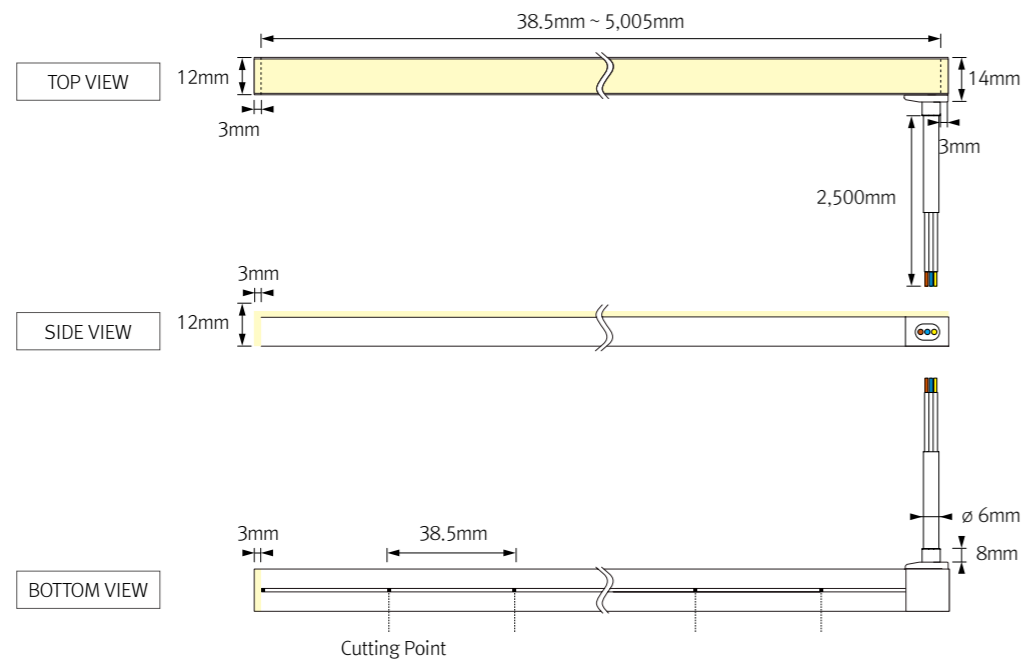


## Dimension

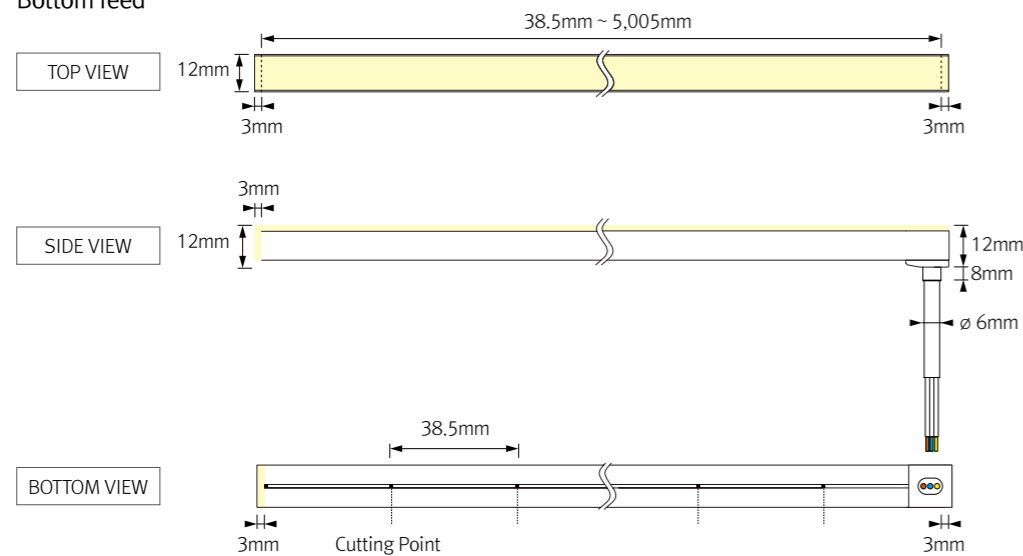
### Straight Feed



### Left Side Feed



### Bottom feed



FLXible Neon can be cut every 38.5mm.  
Please follow the cutting point mark to cut precisely as needed.

## Accessories

### Ⓐ FLXible Neon 2 (Customized Length Available)

FN2 SC-24V (5m)	FN2 SC-24V (2m)
FN2 SC-24V (4m)	FN2 SC-24V (1m)
FN2 SC-24V (3m)	

### Ⓑ FLXible Neon 2 (Customized Length Available)

FN2 SC-24V-LS (5m)	FN2 SC-24V-LS (2m)
FN2 SC-24V-LS (4m)	FN2 SC-24V-LS (1m)
FN2 SC-24V-LS (3m)	

### Ⓒ FLXible Neon 2 (Customized Length Available)

FN2 SC-24V-BS (5m)	FN2 SC-24V-BS (2m)
FN2 SC-24V-BS (4m)	FN2 SC-24V-BS (1m)
FN2 SC-24V-BS (3m)	

### Ⓓ Mounting Brackets

FN2-BRACKET1, 1set = 4pcs

### Ⓔ FN2 Extrusion Line (1,200mm)

FN2-EXL

### Ⓕ Transparent Brackets

FN2 - BRACKETS1-T

### Ⓖ Expanding Stick

FN-EPS

### Ⓗ Field Termination

FN2-FTKIT-DUAL

### Ⓘ LED Driver with 12way distributor, with power cord (1,800mm)

Part No	FLC30-24V/T	FLC75-24V-P/T
Capacity	30W 24V	75W 24V

### Ⓛ LED Driver : FLC200-24V/T (200W, DC24V)

LED Driver With 12way distributor

### Ⓚ Dimming Interface (0-10/1-10, DMX512)

FDA-L2M0 : Max. 200W (100W/CH, 2CH)  
FDA-L5M : Max. 200W (50W/CH, 5CH)

