

## MonoRail Pro

LED for Display, Cabinet, Furniture

Display & Cove system for long runs!



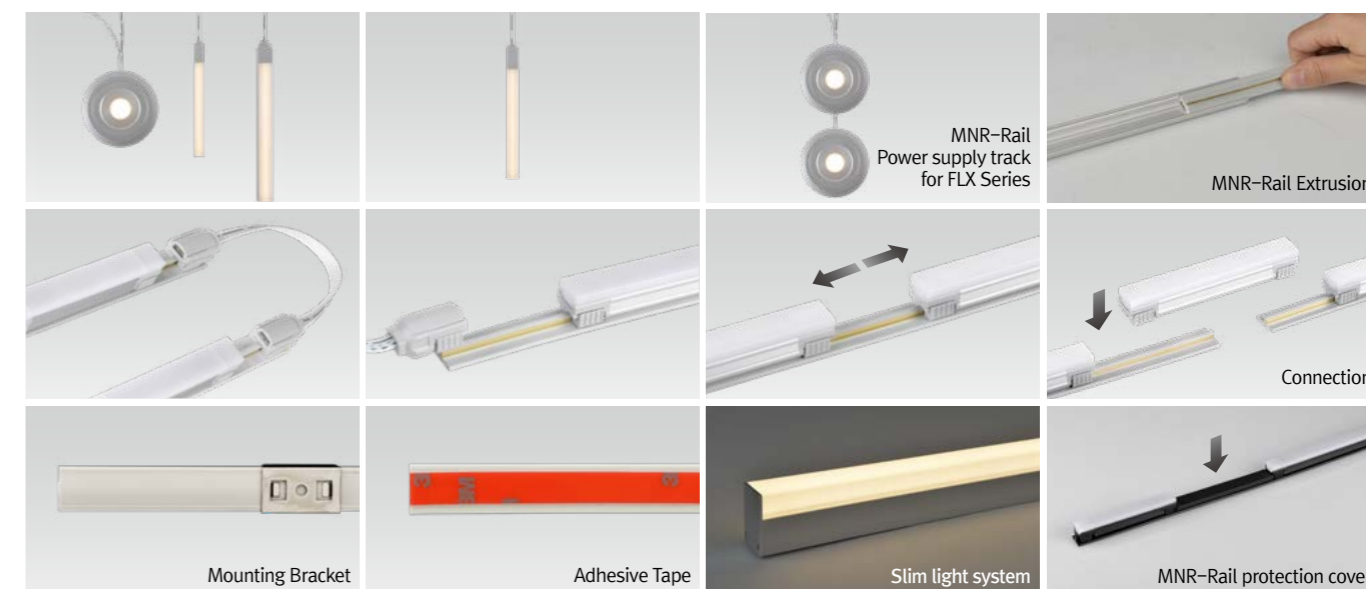
- Super Slim linear with power track
- Greatly extends the length of a run with a single power point
- Fixtures snaps onto power track with no breaks in light output
- Available in silver, black
- To be used with constant voltage DC 24V driver
- Dimmable with available accessories

Various color





**Various options**



**MonoRail Pro**  
Display& Cove System for Long runs!



MonoRail Pro 1W Length (95mm)



MonoRail Pro 4W Length (286mm)

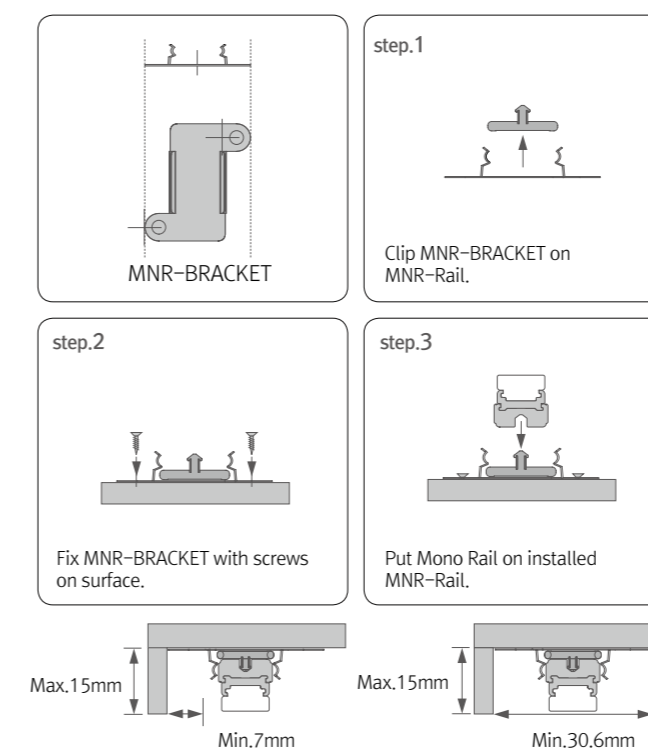


MonoRail Pro 8W Length (572mm)



MNR-Rail (power supply track)

**Installation**



**Max. connection**

- MonoRail : 180W in one row (Single power feed)
- LED Driver

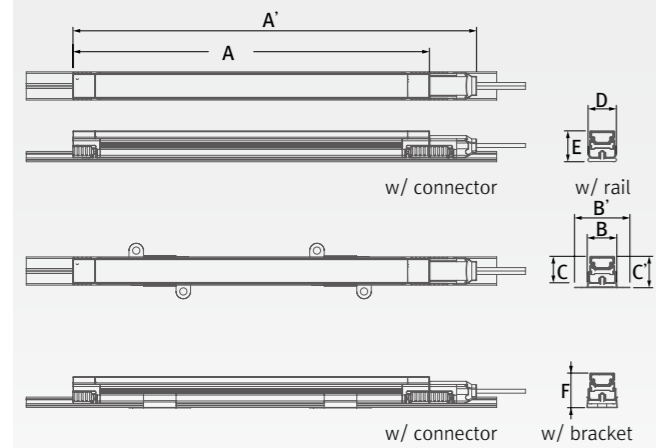
| Model Name   | Max. units for LED Driver |         |          |
|--------------|---------------------------|---------|----------|
|              | 24V/30W                   | 24V/75W | 24V/200W |
| MNP1 40K-24V | 21                        | 53      | 114      |
| MNP4 40K-24V | 7                         | 17      | 37       |
| MNP8 40K-24V | 3                         | 9       | 18       |

## Specification

| Model Name       | Power Input | Lamp Power | Luminous Flux | Efficiency | Color Rendering | Available Color                    | Operating Temperature |
|------------------|-------------|------------|---------------|------------|-----------------|------------------------------------|-----------------------|
| MNP1 40K-24V-C90 | DC24V       | 1W         | 85 lm         | 85 lm/W    | Ra > 90         | 2,700K/3,000K/3,500K/4,000K/5,700K | 0-45°C                |
| MNP4 40K-24V-C90 | DC24V       | 4W         | 340 lm        | 85 lm/W    | Ra > 90         | 2,700K/3,000K/3,500K/4,000K/5,700K | 0-45°C                |
| MNP8 40K-24V-C90 | DC24V       | 8W         | 680 lm        | 85 lm/W    | Ra > 90         | 2,700K/3,000K/3,500K/4,000K/5,700K | 0-45°C                |

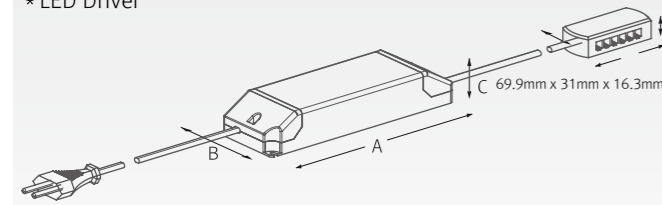
## Dimension

| Model Name       | Power Input (V) | Lamp Power (W) | A (mm) | A' (mm) | B (mm) | B' (mm) | C (mm) | C' (mm) | D (mm) | E (mm) | F (mm) |
|------------------|-----------------|----------------|--------|---------|--------|---------|--------|---------|--------|--------|--------|
| MNP1 40K-24V-C90 | DC 24           | 1.3            | 95     | 121     | 15.3   | 30.6    | 14.8   | 17.4    | 15.6   | 17     | 17     |
| MNP4 40K-24V-C90 | DC 24           | 4              | 286    | 312     | 15.3   | 30.6    | 14.8   | 17.4    | 15.6   | 17     | 17     |
| MNP8 40K-24V-C90 | DC 24           | 8              | 572    | 598     | 15.3   | 30.6    | 14.8   | 17.4    | 15.6   | 17     | 17     |

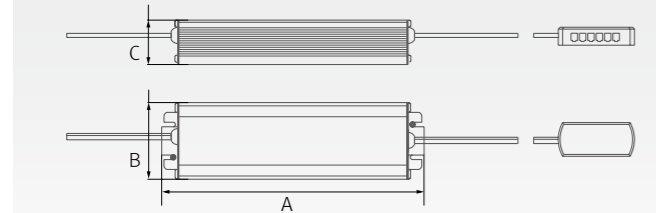


| Model Name    | A (mm) | B (mm) | C (mm) |
|---------------|--------|--------|--------|
| FLC15-24V/T   | 121    | 45     | 16     |
| FLC30-24V/T   | 150    | 41     | 31     |
| FLC75-24V-P/T | 180    | 60     | 32     |

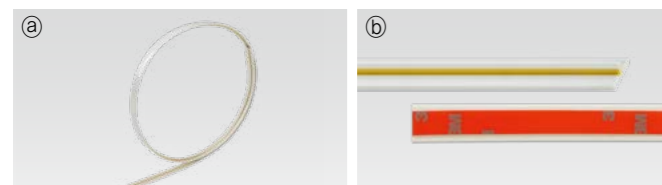
### \* LED Driver



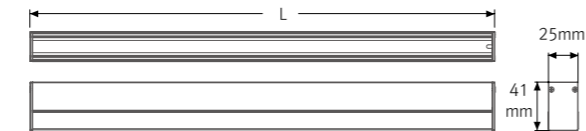
| Model Name   | A (mm) | B (mm) | C (mm) |
|--------------|--------|--------|--------|
| FLC200-24V/T | 228    | 68     | 39     |



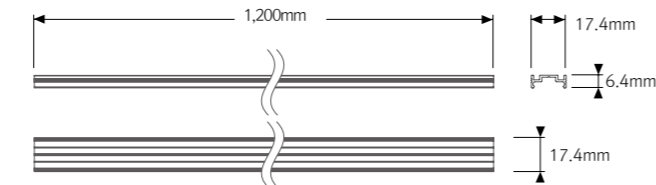
## Accessories



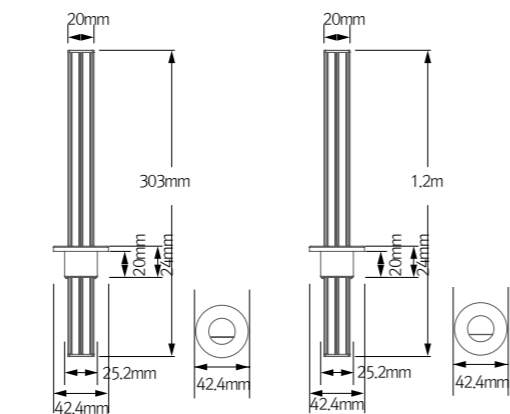
### \* Slim light system



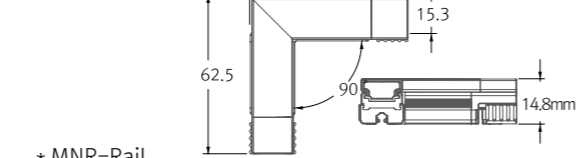
### \* MNR-Rail extrusion line



### \* MNR-Rail extrusion pole



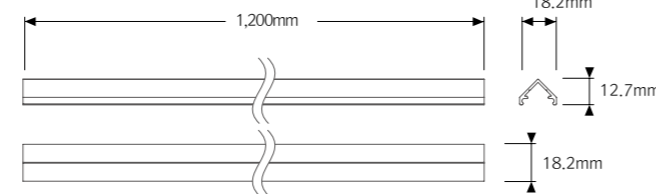
### \* 90° connector



### \* MNR-Rail



### \* MNR-Rail extrusion corner



### Ⓐ Power supply track : MNR-Rail (20m)

Power supply track in Roll without adhesive  
Color : White, Gray, Black

### Ⓑ Power supply track : MNR-Rail (1,200mm)

Power supply track with adhesive tape  
Color : White, Gray, Black

### Ⓒ Adhesive tape

Adhesive tape for MNR-Rail (16.5 m)

### Ⓓ Power supply cable to the MNR-Rail : MNRPC (2,500mm)

120W in one row (w/ terminal block)  
180W in one row (w/o terminal block)

\* Available Color : Gray, Black

### Ⓔ Connecting cable between MNR-Rail

| MNRPC        | MNRPC1       | MNRPC2       | MNRPC4        | MNRPC6        |
|--------------|--------------|--------------|---------------|---------------|
| 150mm(6inch) | 300mm(1feet) | 600mm(1feet) | 1200mm(4feet) | 1800mm(6feet) |

\* Available Color : Gray, Black

### Ⓕ Connecting cable between MNR-Rail and FLX Stix NDP : MNRPTC-NDP

| MNRPTC-NDP1  | MNRPTC-NDP2  |
|--------------|--------------|
| 300mm(1feet) | 600mm(2feet) |

\* Available Color : Gray, Black

### Ⓖ Connecting cable between MNR-Rail and FLX Stix NDV : MNRPTC-NDV

| MNRPTC-NDV1  | MNRPTC-NDV2  |
|--------------|--------------|
| 300mm(1feet) | 600mm(2feet) |

\* Available Color : Gray, Black

### Ⓗ Connecting cable between MNR-Rail and FLX Stix HDP : MNRPTC-HDP

| MNRPTC-HDP1  | MNRPTC-HDP2  |
|--------------|--------------|
| 300mm(1feet) | 600mm(2feet) |

\* Available Color : Gray, Black

### Ⓙ Connecting cable between MNR-Rail and FLX Stix HDV&DDV : MNRPTC-HDV

| MNRPTC-HDV1  | MNRPTC-HDV2  |
|--------------|--------------|
| 300mm(1feet) | 600mm(2feet) |

\* Available Color : Gray, Black

### Ⓚ Connecting cable between MNR-Rail and FLX Spot DVS : MNRPTC-DVS

| MNRPTC-DVS1  | MNRPTC-DVS2  |
|--------------|--------------|
| 300mm(1feet) | 600mm(2feet) |

\* Available Color : Gray, Black

### Ⓛ Sidefeed for seamless extension (1W) : MNP1 40K-24V-C90-S

120W in one row

### Ⓜ 90° connector : MNP1 40K-24V-C90-90

MonoRail90° connector (1W)  
120W in one row

### Ⓝ LED Driver with 12way distributor, with power cord (1,800mm)

| Part No  | FLC15-24V/T | FLC30-24V/T | FLC75-24V-P/T |
|----------|-------------|-------------|---------------|
| Capacity | 15W 24V     | 30W 24V     | 75W 24V       |

### Ⓞ LED Driver : FLC200-24V/T (200W, DC24V)

LED Driver With 12way distributor

### Ⓟ Bracket : MNR-BRACKET (standard)

### Ⓠ Bracket : MNR-BRACKET1 (optional)

### Ⓡ Dimming Interface (1-10V) : FDC-L10

Max. 100W (100W/CH, 1CH)

### Ⓢ Dimming Interface (0-10/1-10V, DMX512)

FDA-L2M0 : Max. 200W (100W/CH, 2CH)

FDA-L5M : Max. 200W (50W/CH, 5CH)

### Ⓣ Dimming Interface (Dail) : FDD-L1DA

Max. 200W (100W/feed, 2feeds)

### Ⓤ Slim light system (1,200mm) : SLS-EXT

### Ⓚ MNR-Rail extrusion line (1,200mm)

| Silver     | Black      |
|------------|------------|
| MNR-EXL-SV | MNR-EXL-BK |

### Ⓛ MNR-Rail extrusion corner (1,200mm)

| Silver     | Black      |
|------------|------------|
| MNR-EXC-SV | MNR-EXC-BK |

### Ⓜ MNR-Rail extrusion pole (300mm/1,200mm)

| Silver     | Black      |
|------------|------------|
| MNR-EXP-SV | MNR-EXP-BK |

### Ⓝ End cap : MNR-CAP

Color : White, Gray, Black

### Ⓞ MNR-Rail protection cover : MNR-Rail cover

Color : White, Gray, Black

