

MonoRail Spot HO

LED for Display, Cabinet, Furniture

Slide and Swivel High Output LED Spotlight



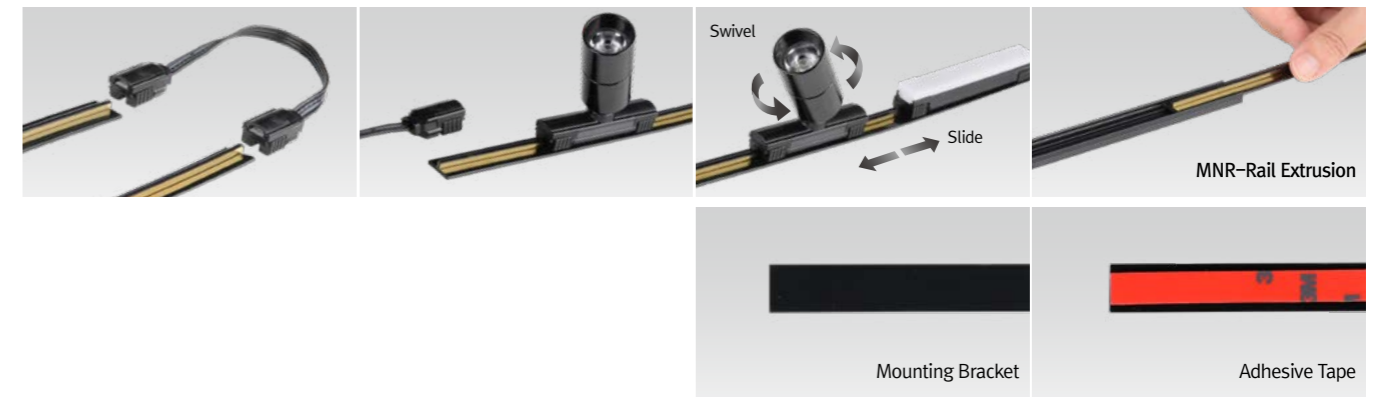
- Compatible and linkable with MonoRail system
- Slide and Swivel High Output LED Spotlight
- Suitable for furniture and showcase application
- Simple Plug & Play connection to the power track
- Available in silver or black
- To be used with constant voltage DC 24V driver

Various color

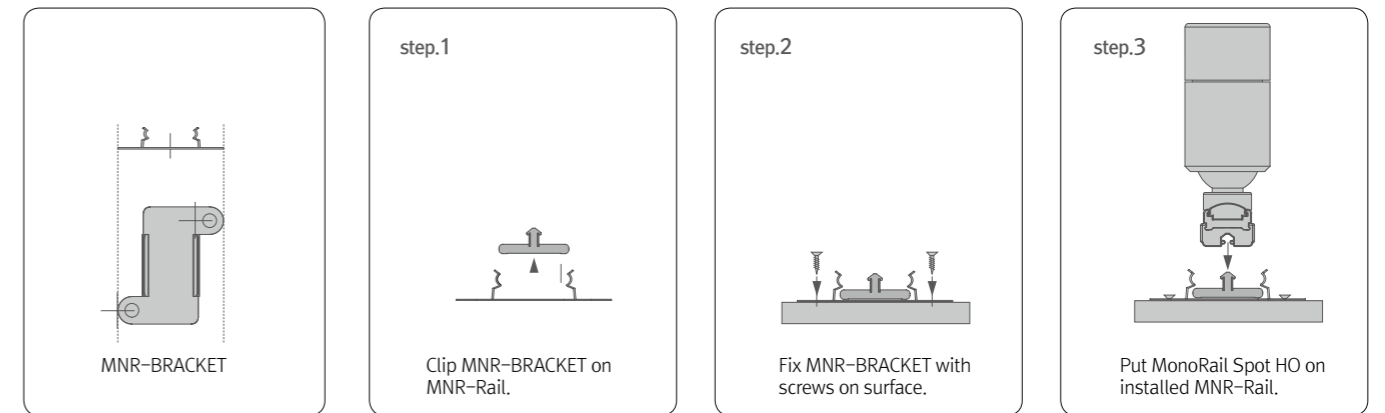




Various options



Installation



Max. connection

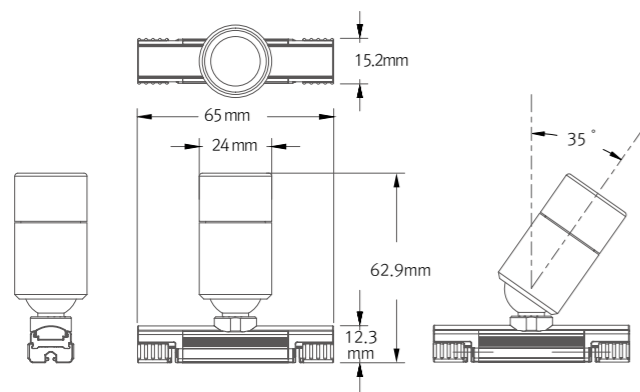
- MonoRail Spot HO: 180W in one row(Single powerfeed)
- LED Driver

LED Driver Model Name	Max. units for LED Driver			
	24V/15W	24V/30W	24V/75W	24V/200W
MRS3 40K-24V-SV	5	11	28	76

Specification

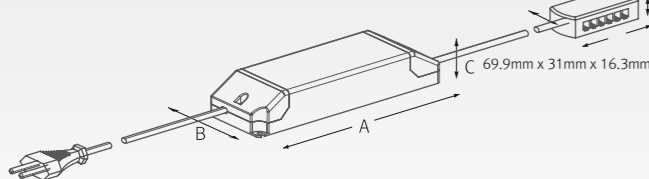
Model Name	Color	Power Input	Lamp Power	Luminous Flux	Efficiency	Color Rendering	Available Color	Beam Angle	Operating Temperature
MRS3 40K-24V-SV-25	Silver	DC24V	3W	276 lm	95 lm/W	Ra > 80	2,700K/3,000K/3,500K/4,000K/5,000K/5,700K	25°, 45°, 60°	0-45°C
MRS3 40K-24V-BK-45	Black	DC24V	3W	276 lm	95 lm/W	Ra > 80	2,700K/3,000K/3,500K/4,000K/5,000K/5,700K	25°, 45°, 60°	0-45°C
MRS3 40K-24V-WT-60	white	DC24V	3W	276 lm	95 lm/W	Ra > 80	2,700K/3,000K/3,500K/4,000K/5,000K/5,700K	25°, 45°, 60°	0-45°C

Dimension

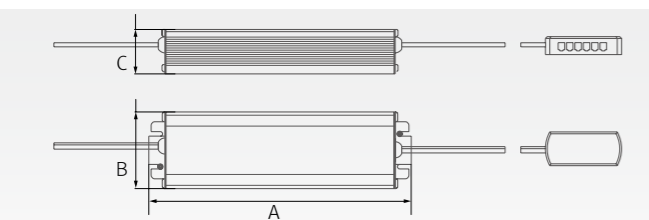


Model Name	A (mm)	B (mm)	C (mm)
FLC15-24V/T	121	45	16
FLC30-24V/T	150	41	31
FLC75-24V-P/T	180	60	32

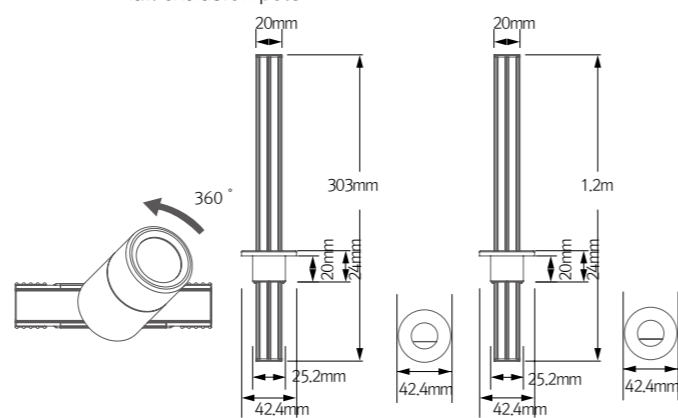
*** LED Driver**



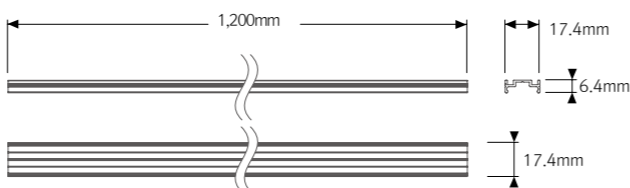
Model Name	A (mm)	B (mm)	C (mm)
FLC200-24V/T	228	68	39



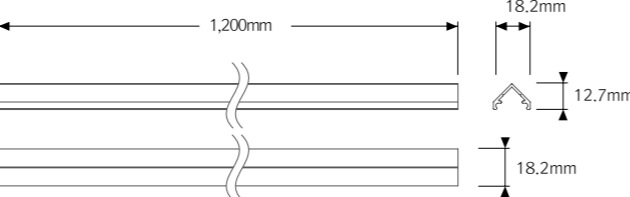
*** MNR-Rail extrusion pole**



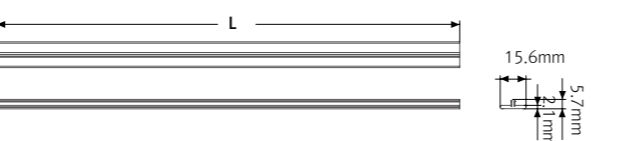
*** MNR-Rail extrusion line**



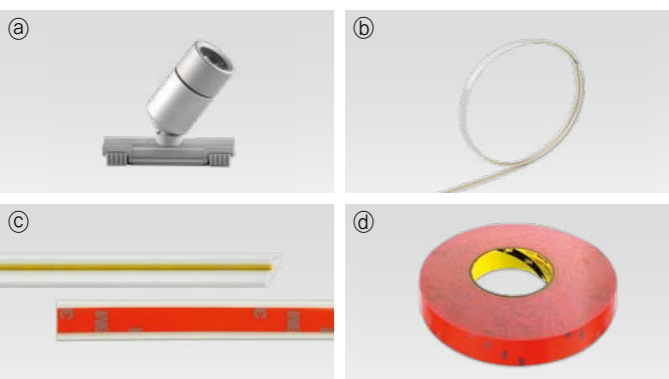
*** MNR-Rail extrusion corner**



*** MNR-Rail**



Accessories



⑧ MonoRail Spot HO

Beam angle	Silver	Black	White
25°	MRS340K-24V-SV-25	MRS340K-24V-BK-25	MRS340K-24V-WT-25
45°	MRS340K-24V-SV-45	MRS340K-24V-BK-45	MRS340K-24V-WT-45
60°	MRS340K-24V-SV-60	MRS340K-24V-BK-60	MRS340K-24V-WT-60

⑨ Power supply track : MNR-Rail (20,000mm)

Color : White, Gray, Black

⑩ Power supply track : MNR-Rail (1,200m)

Color : White, Gray, Black

⑪ Adhesive tape

MNR-Rail (16.5m)

⑫ Power supply cable to the MNR-Rail : MNRPC (2,500mm)

120W in one row (w/ terminal block)
180W in one row (w/o terminal block)
* Available Color : Black, Gray

⑬ Connecting cable between MNR-Rail

MNRPTC	MNRPTC1	MNRPTC2	MNRPTC4	MNRPTC6
150mm(6inch)	300mm(1feet)	600mm(1feet)	1,200mm(4feet)	1,800mm(6feet)

* Available Color : Black, Gray

⑭ LED Driver with 12way distributor, with power cord (1800mm)

Part NO	FLC15-24V/T	FLC30-24V/T	FLC75-24V-P/T
Capacity	24V/15W	24V/30W	24V/75W

⑮ LED Driver : FLC200-24V/T (200W, DC24V)

LED Driver With 12way distributor

⑯ Bracket : MNR-BRACKET (standard)

⑰ Bracket : MNR-BRACKET1 (optional)

⑱ Dimming Interface (1-10V) : FDC-L10

Max. 100W (100W/CH, 1CH)

⑲ Dimming Interface (0-10/1-10, DMX512)

FDA-L2M0 : Max. 200W (100W/CH, 2CH)
FDA-L5M : Max. 200W (50W/CH, 5CH)

⑳ Dimming Interface (Dail) : FDD-L1DA

Max. 200W (100W/feed, 2feeds)

㉑ Door and motion detection sensor (DC) : FLS-M24V

Voltage : DC 24V

㉒ Human-body detection sensor (DC) : FLS-P24V

Voltage : DC 24V

㉓ MNR-Rail extrusion line (1,200mm)

Silver	Black
MNR-EXL-SV	MNR-EXL-BK
Without MNR-Rail	

㉔ MNR-Rail extrusion corner (1,200mm)

Silver	Black
MNR-EXC-SV	MNR-EXC-BK
Without MNR-Rail	

㉕ MNR-Rail extrusion pole (300mm/1,200mm)

Silver	Black
MNR-EXP-SV	MNR-EXP-BK
With MNR-Rail	

㉖ End cap : MNR-CAP

Color : White, Gray, Black

㉗ MNR-Rail protection cover : MNR-Rail cover

Color : White, Gray, Black

